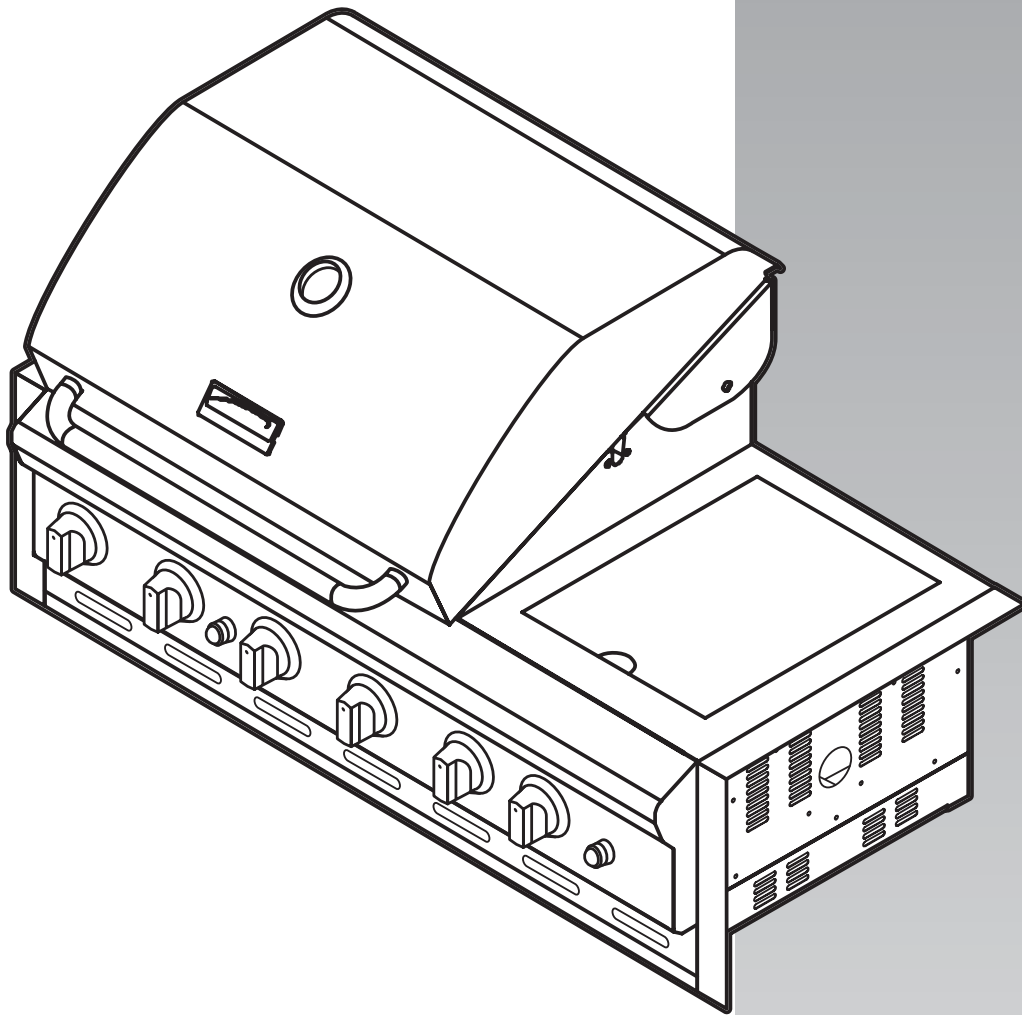


CE

grandhall
outdoor living style

gas barbecue



- Ⓘ Ⓒ Assembly instructions
- Ⓒ Ⓕ Instructions d'assemblage
- Ⓐ Ⓒ Ⓓ Montageanweisungen
- Ⓒ Ⓘ Istruzioni per il montaggio
- Ⓐ Ⓑ Ⓐ Montage-instructies
- Ⓒ Montering
- Ⓕ Kokoamisohjeet
- Ⓒ Instrucciones de armado
- Ⓐ Instruções para Montagem
- Ⓓ Monteringsvejledning
- Ⓐ Montering

professional 482

PARTS LIST – PROFESSIONAL 482

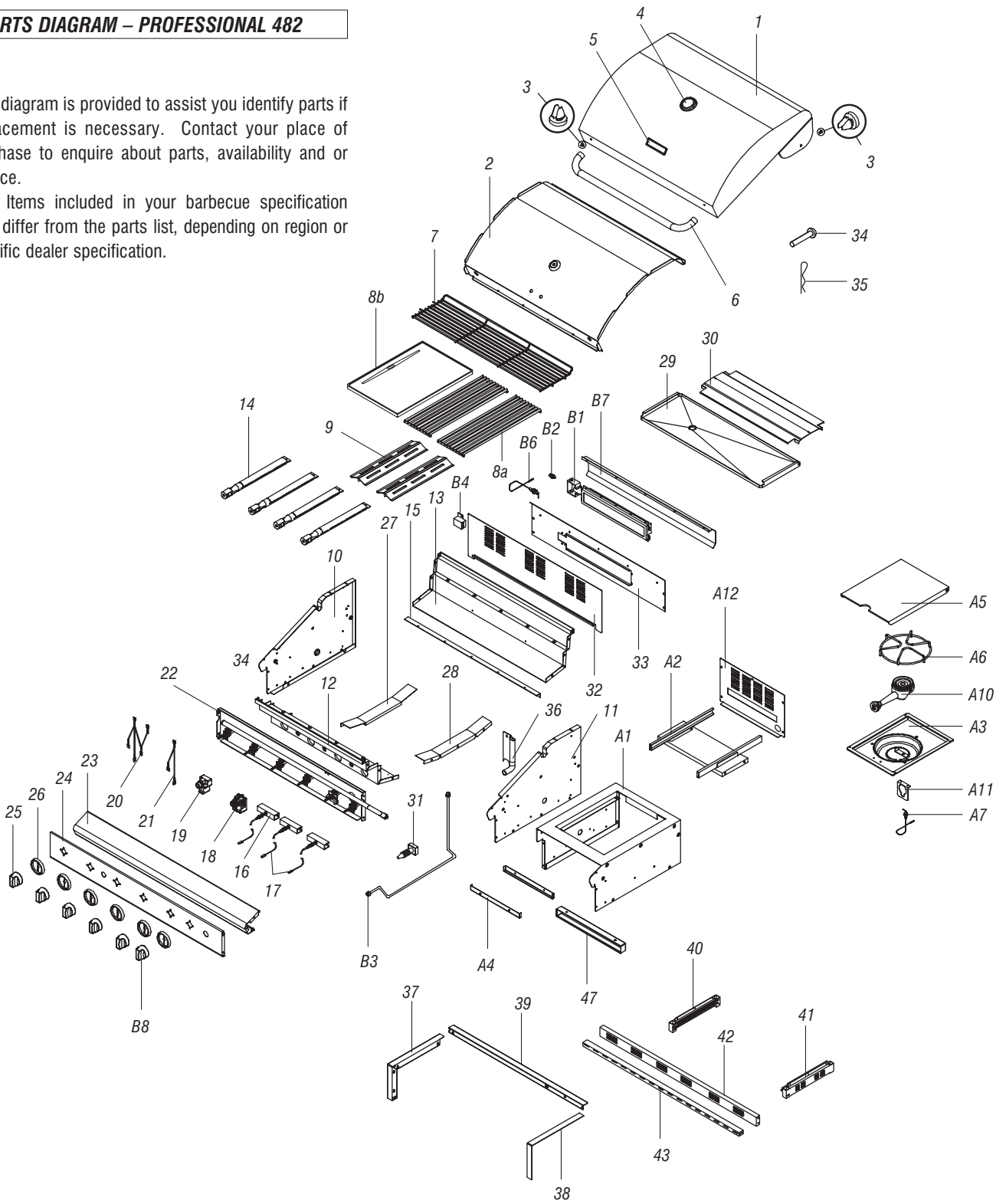
Ref	Description	Part No.	Qty
1	Hood assembly	P00119126A	1
2	Hood trim plate	P0011408DV	1
3	Protective pad	P05518001I	4
4	Temperature gauge	P00601011B	1
5	Hood badge	P00407006S	1
6	Hood handle	P00205055B	1
7	Cooking rack – <i>fixed</i>	P01514003B	1
8a	Grill plate	P01604004B	2
8b	Hot plate	P01702008E	1
9	Flame tamer	P01708009B	2
10	Body panel – <i>left</i>	P00720283C	1
11	Body panel – <i>right</i>	P00721263C	1
12	Body panel – <i>front</i>	P0073816BC	1
13	Body panel – <i>rear</i>	P0072521BC	1
14	Burner – <i>main</i>	P02008059A	4
15	Burner support bracket	P0220902CA	1
16	Gas collector box with electrode	P026080124	3
17	Electronic wire set	P02615025A	1
18	Electronic Igniter – <i>4 port</i>	P02502134C	1
19	Electronic Igniter – <i>2 port</i>	P02502062C	1
20	Electronic wire set – <i>5 point</i>	P02615026A	1
21	Electronic wire set – <i>3 point</i>	P02615027A	1
22	Gas valve / manifold / heat shield assembly – <i>30 mbar</i>	Y0060330	1
	– <i>50 mbar</i>	Y0060331	1
22a	Manifold	P05007222A	1
22b	Jet main burner – <i>30 mbar</i>	P06519024A	4
	– <i>50 mbar</i>	P06519026A	4
22c	Jet side burner – <i>30 mbar</i>	P06533003A	1
	– <i>50 mbar</i>	P06533006A	1
22d	Gas valve without jet – <i>main / side</i>	P03222102A	4
22e	Gas valve – <i>rotisserie without jet</i>	P03222104A	1
22f	Heat shield	P03011103B	1
23	Decorative front panel	P07508007A	1
24	Control panel – <i>with screen print, 30 mbar</i>	P02911871A	1
	– <i>with screen print, 30 mbar</i>	P02911871B	1
25	Control knob for main / side burner	P03419153H	5

Ref	Description	Part No.	Qty
26	Control knob seat	P03415263L	6
29	Grease draining tray	P02717401B	1
30	Grease draining tray heat shield	P06903045B	1
31	Universal hose barb	P03901024A	1
32	Body wind shield	P06906011C	1
33	Back burner frame	P02011012B	1
34	Hood hinge pin	P05501016A	2
35	Hinge pin clip	P05501010A	2
36	Manual lighting tube	P05313006C	1
37	Trim panel – <i>left</i>	P07505013A	1
38	Trim panel – <i>right</i>	P07504013A	1
39	Trim panel – <i>rear</i>	P07515017A	1
40	Barbecue support bracket – <i>left</i>	P07901024A	1
41	Barbecue support bracket – <i>right</i>	P07901025A	1
42	Barbecue support bracket – <i>rear</i>	P07701057A	1
43	Barbecue support bracket – <i>front</i>	P03306021C	1
A1	Body panel outside – <i>right</i>	P00743036C	1
A2	Side burner grease tray track assembly	P05516136G	1
A3	Side burner body assembly	P02301011B	1
A4	Side burner body bracket	P03306005C	2
A5	Side burner lid	P00115346A	1
A6	Pot support	P00805013B	1
A7	Side burner electrode	P02607006C	1
A10	Side burner body with brass burner ring	P02002007A	1
A11	Side burner bracket	P02215072E	1
A12	Side burner wind shield	P06906035C	1
B1	Back burner assembly	P02007003A	1
B2	Back burner orifice – <i>30 mbar</i>	P06509003A	1
	– <i>50 mbar</i>	P06535001A	1
B3	Back burner extension tube	P03717023A	1
B4	Back burner gas collector box	P02621001K	1
B6	Back burner electrode	P02614003C	1
B7	Back burner wind shield	P06906012C	1
B8	Back burner control knob	P03419163H	1
	Hardware pack	P06003056A	1
	Operating instructions	P80140126K	1

PARTS DIAGRAM – PROFESSIONAL 482

This diagram is provided to assist you identify parts if replacement is necessary. Contact your place of purchase to enquire about parts, availability and or service.

Items included in your barbecue specification may differ from the parts list, depending on region or specific dealer specification.

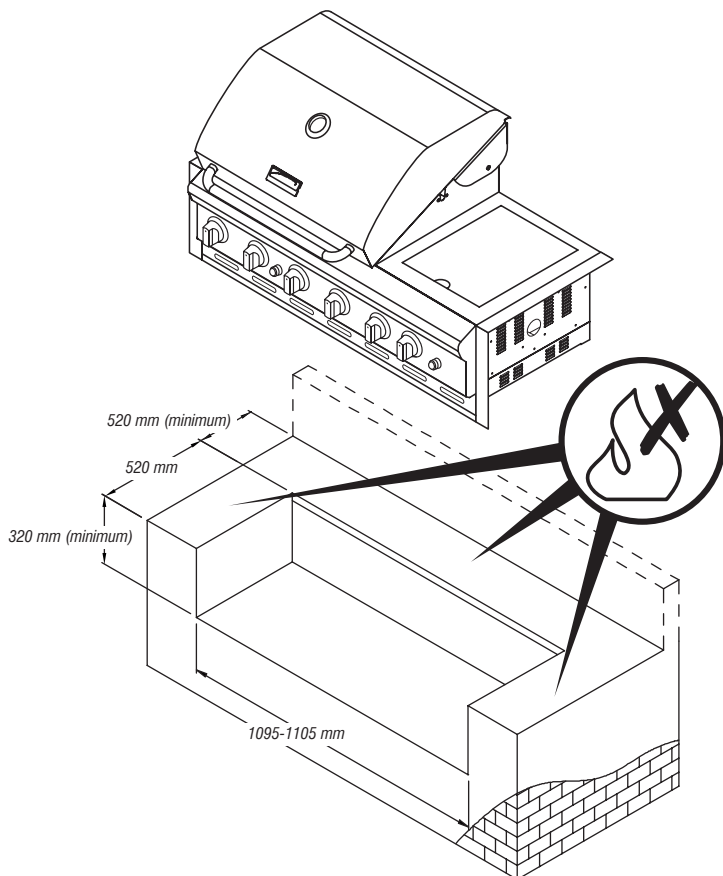


BUILT-IN INSTALLATION – PROFESSIONAL 482

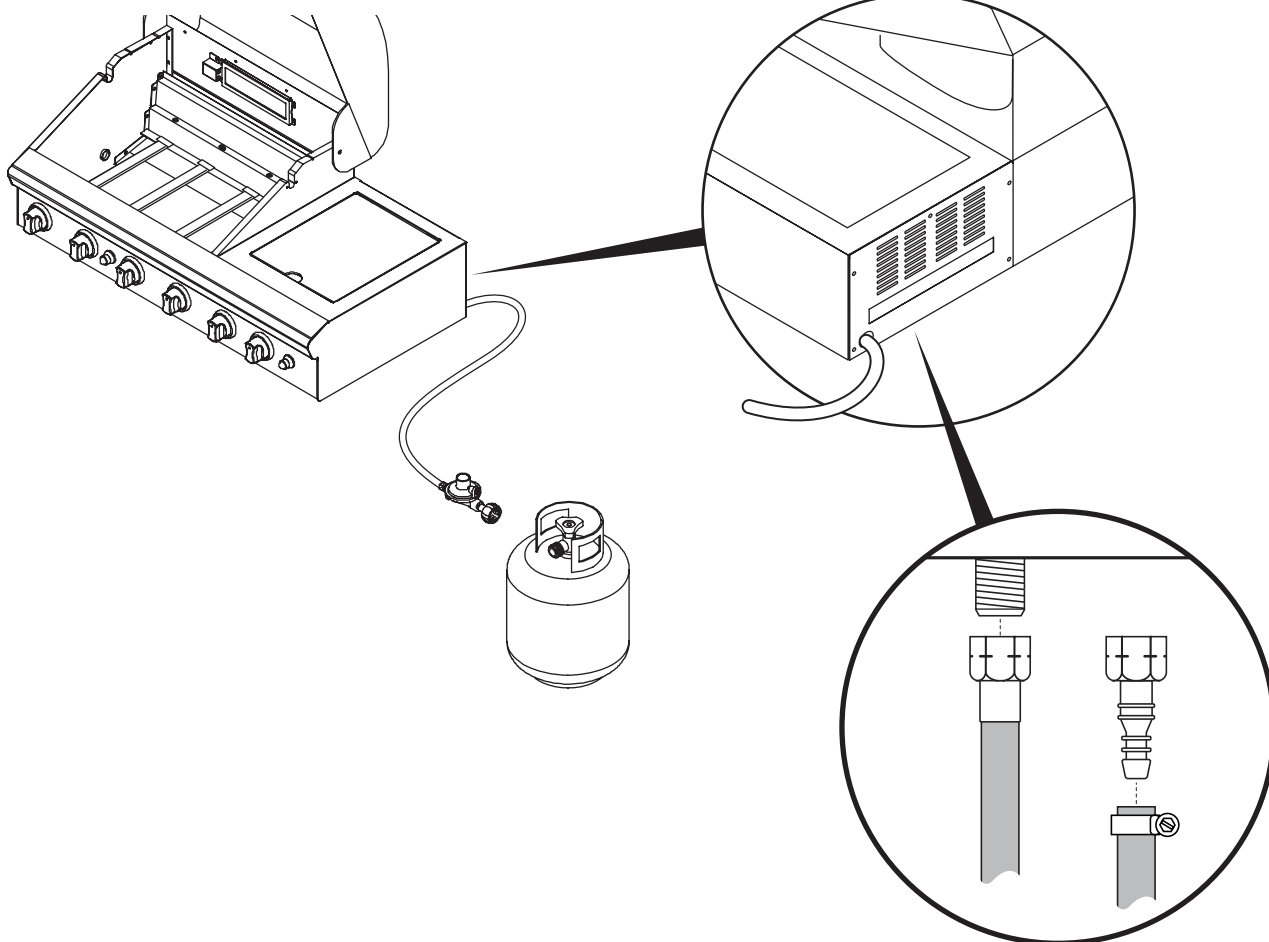


WARNINGS INFORMATION

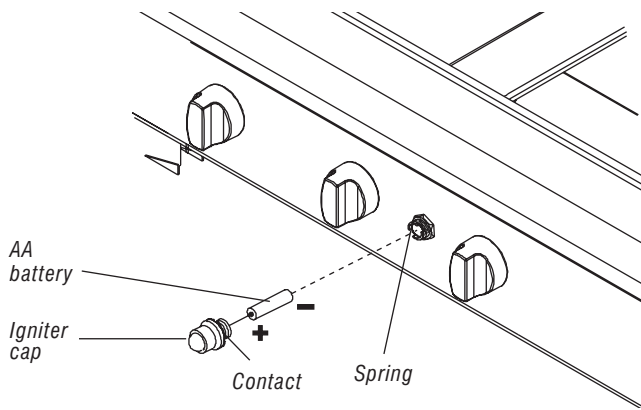
- (GB)** DO NOT OBSTRUCT THE VENTILATION OPENINGS IN THE TROLLEY.
- (FR)** NE PAS BOUCHER LES OUVERTURES DE VENTILATION DANS LE CHARIOT.
- (DE)** NICHT DIE VENTILATIONSÖFFNUNGEN IM WAGEN BLOCKIEREN.
- (IT)** NON OSTRUIRE LE APERTURE DI VENTILAZIONE DEL CARRELLO.
- (NL)** DE VENTILATIEOPENINGEN IN DE TROLLEY NIET BLOKKEREN.
- (SE)** BLOCKERA EJ VENTILATIONSHÅLEN I GRILLBAREN.
- (FI)** KÄRRYN TUULETUSAUKKOJA EI SAA PEITTÄÄ.
- (ES)** NO OBSTRUYA LAS ABERTURAS DE VENTILACIÓN DEL CARRITO.
- (PT)** NÃO OBSTRUA AS ABERTURAS DE VENTILAÇÃO NO TRÓLEI.
- (DK)** VENTILATIONSÅBNINGEN I TROLLEYEN MÅ IKKE SPÆRRES.
- (NO)** VENTILASJONSÅPNINGENE PÅ TRALLEN MÅ IKKE TILDEKES.



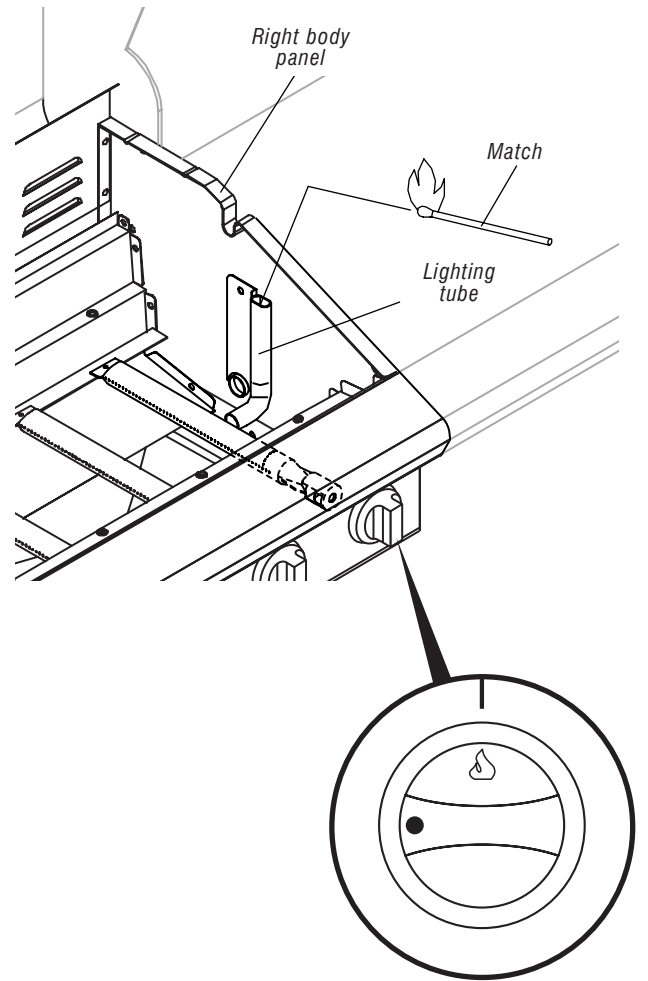
CONNECTING GAS CONNECTIONS



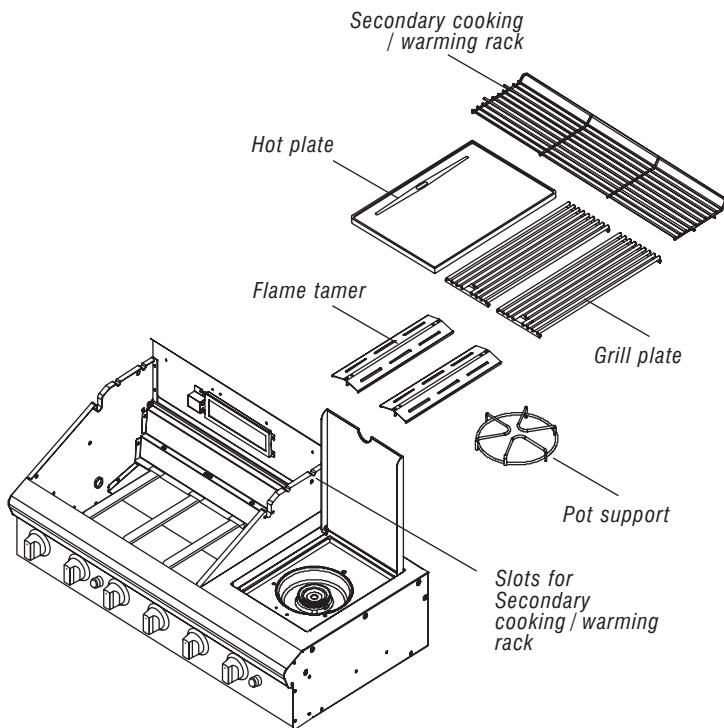
IGNITION BATTERY



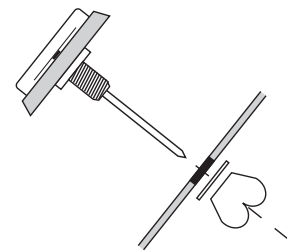
LIGHT BBQ WITH MATCH



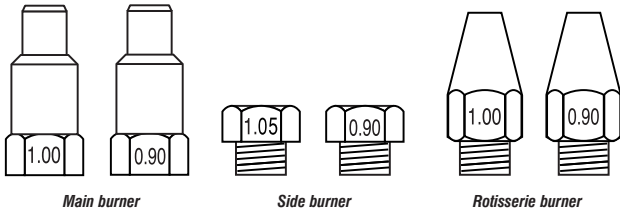
COOKING COMPONENT INSTALLATION



TEMPERATURE GAUGE



INJECTOR



• Main	1.00 mm	- I 3+ (28-30/37)
		- I 3B/P (30)
• Side	0.90 mm	- I 3B/P (50)
	1.05 mm	- I 3+ (28-30/37)
• Rotisserie	0.90 mm	- I 3B/P (30)
	1.00 mm	- I 3+ (28-30/37)
		- I 3B/P (30)
	0.90 mm	- I 3B/P (50)

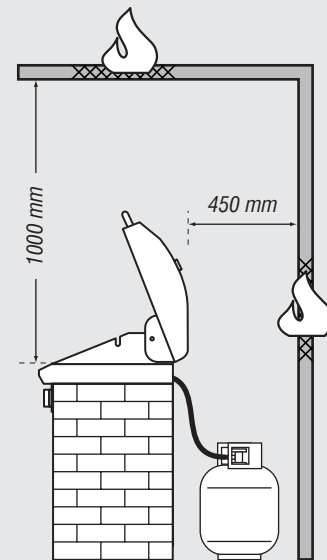
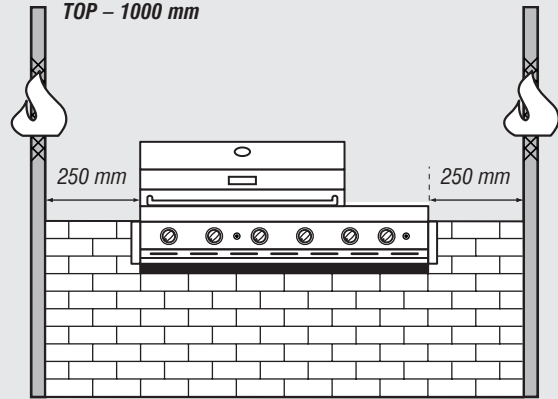
INPUT

• Main	22.0 kW	- 1598 grams / h
• Side	4.5 kW	- 1598 grams / h
• Rotisserie	4.2 kW	- 1598 grams / h

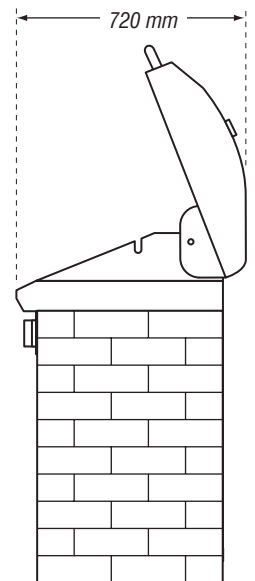
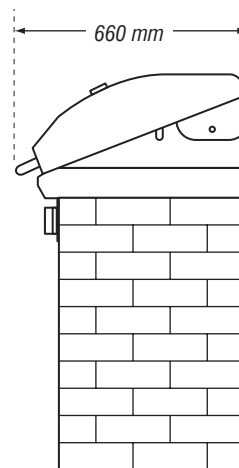
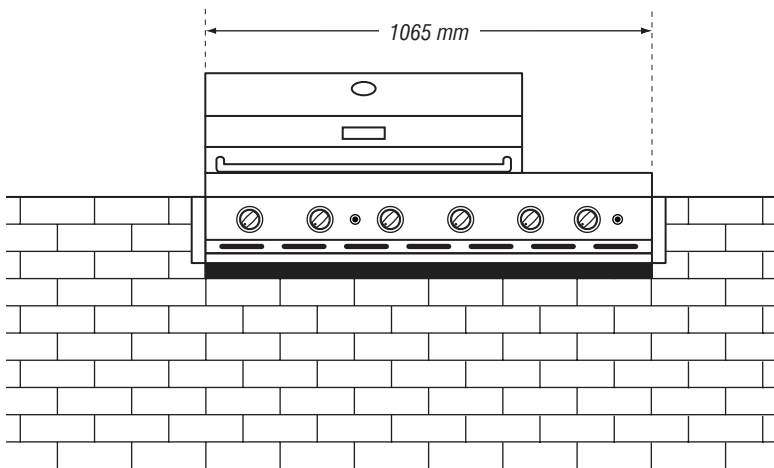


WARNINGS INFORMATION

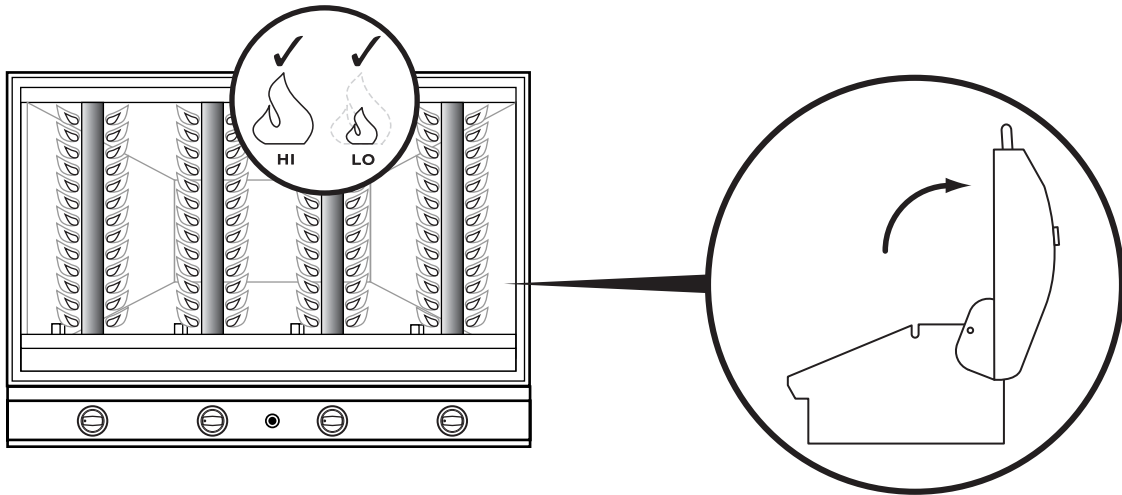
- **MINIMUM CLEARANCES FROM COMBUSTIBLE MATERIALS MUST BE:**
REAR - 450 mm
SIDES - 250 mm
TOP - 1000 mm



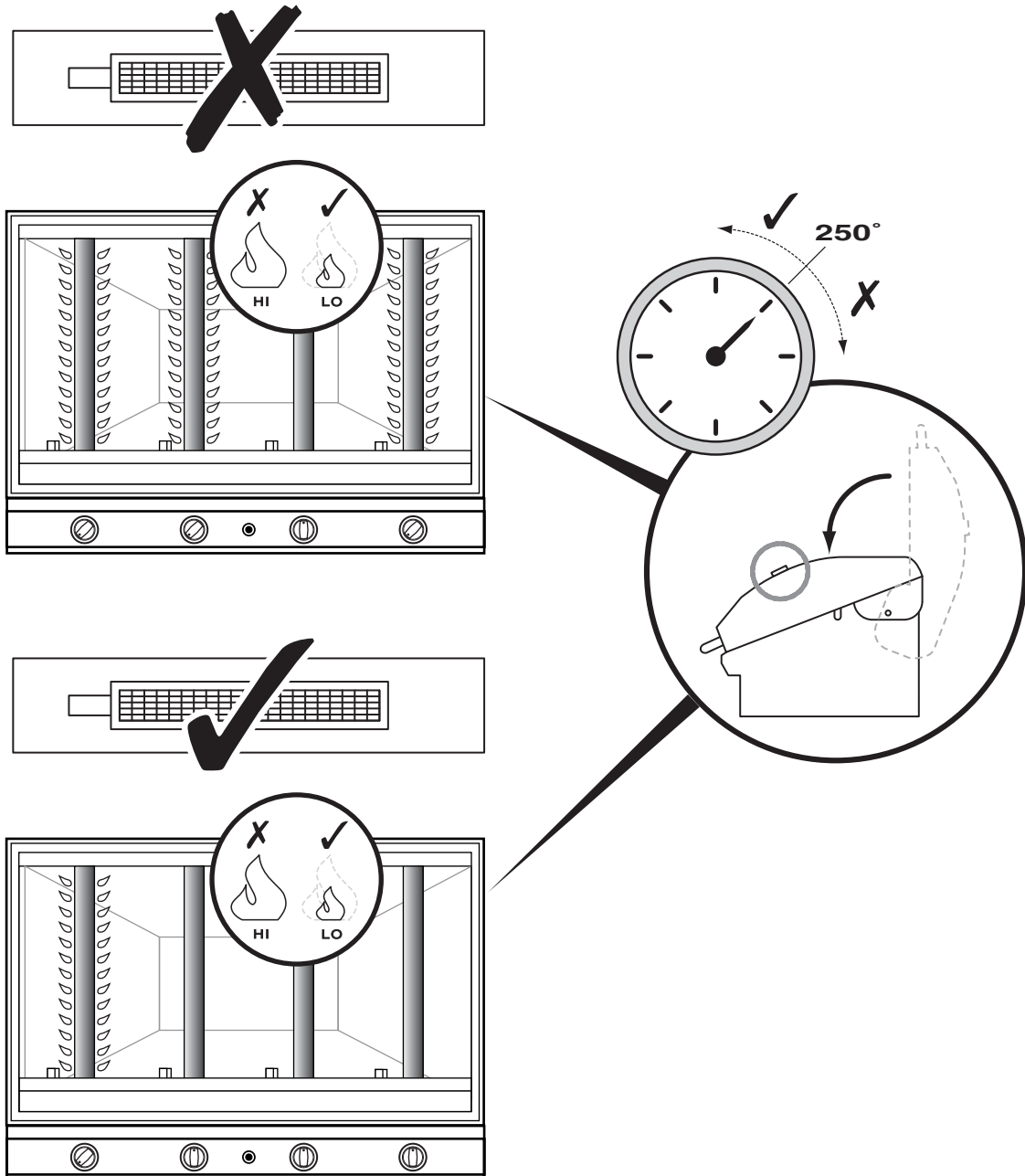
DIMENSIONS



COOKING WITH HOOD OPEN



COOKING WITH HOOD DOWN



Grand Hall Europe
PO Box 431
7570 AK Oldenzaal
The Netherlands

www.grandhall.eu

(IE) (GB) NOTE: This information is a guide only. Items included in your BBQ specification may differ depending on region or specific dealer specification.

(CH) (FR) NOTE: Ces renseignements sont donnés à titre indicatif. Il est possible que les articles inclus dans les spécifications de votre barbecue diffèrent selon la région ou les caractéristiques stipulées par le concessionnaire.

(AT) (CH) (DE) ANMERKUNG: Diese Anleitung dient nur zu Informationszwecken. Einzelteile der Grillspezifikation sind unter Umständen verschieden entsprechend der Vertriebsregion oder bestimmten Händleranforderungen.

(CH) (IT) AVVERTENZA: Queste informazioni hanno il valore di guida soltanto. Gli articoli compresi nelle caratteristiche tecniche del barbecue potrebbero variare a seconda della regione o del concessionario.

(LU) (BE) (NL) ATTENTIE: Deze informatie is alleen bedoeld als gids. Onderdelen in uw BBQ specificatie en pakket kunnen per regio of per dealer verschillen.

(SE) ANM.: Denna information är endast avsedd som handledning. Specifikationerna för grillen kan variera regionalt eller beroende på de krav som olika återförsäljare har.

(FI) HUOMATKAA: Nämä tiedot ovat pelkästään suuntaa antavia. Ostamanne grillin yksityiskohdat voivat olla erilaiset paikkakunnan tai erityisten myyjäkohtaisten yksityiskohtien mukaan.

(ES) NOTA: Esta información es una guía únicamente. Es posible que las indicaciones incluidas en las especificaciones de su Asador sean diferentes según la región o las especificaciones específicas del representante.

(PT) NOTA: Esta informação é simplesmente um guia. Os itens incluídos na especificação do seu BBQ poderão diferir dependendo da especificação da região ou do vendedor específico.

(DK) NB: Denne information er kun vejledende. Specifikationer kan variere efter ønske fra forhandler, eller i henhold til nationale regler.

(NO) NB: Denne informasjon er kun veiledende. Spesifikasjoner kan variere som stipulert av forhandler, eller i henhold til nasjonale krav.

All specifications are subject to change without notice.

Toutes les caractéristiques sont susceptibles d'être modifiées sans préavis.

Änderungen ohne vorherige Bekanntgabe vorbehalten.

Tutti i dati tecnici possono cambiare senza preavviso.

Alle specificaties kunnen zonder voorafgaande kennisgeving worden gewijzigd.

Kaikki oikeudet teknisten tietojen muutoksiin pidätetään.

Kaikki yksityiskohdat voivat muuttua ilman, että niistä erikseen ilmoitetaan.

Todas las especificaciones están sujetas a cambios sin previo aviso.

Todas as especificações estão sujeitas a alteração sem aviso.

Alle specifikationer kan ændres foruden varsel.

Spesifikasjoner kan endres uten varsel.

Manufacturer:

Grand Hall Enterprises Co. Ltd.
9th Fl. No 298 Rueiguang Rd
Neihu, Taipei, Taiwan