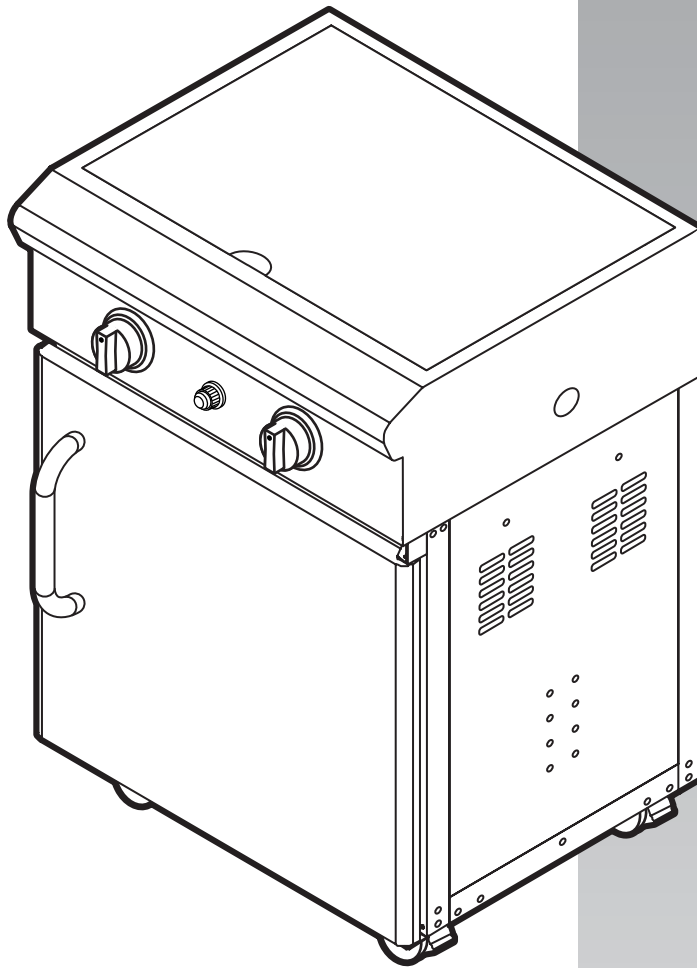


CE

**grandhall**  
outdoor living style

# gas barbecue



- ⒾⒺ ⒸⒺ Assembly instructions
- ⒸⒽ ⒻⒼ Instructions d'assemblage
- ⒶⒿ ⒸⒽ ⒹⒺ Montageanweisungen
- ⒸⒽ ⒾⒿ Istruzioni per il montaggio
- ⒻⒸ ⒸⒺ ⒼⒻ Montage-instructies
- ⒸⒺ Montering
- ⒻⒾ Kokoamisohjeet
- ⒺⒾ Instrucciones de armado
- ⒻⒿ Instruções para Montagem
- ⒹⒻ Monteringsvejledning
- ⒼⒹ Montering

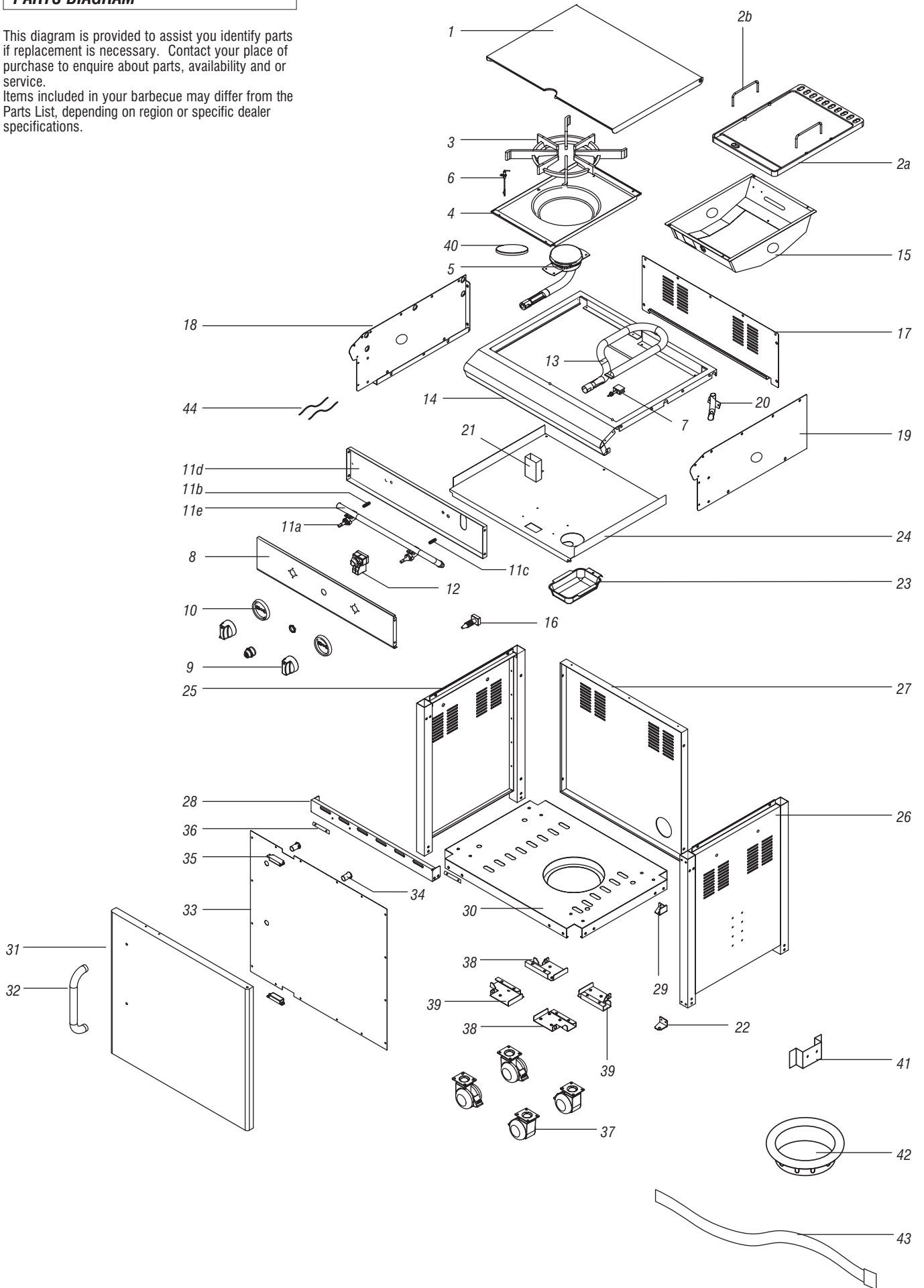
**freedom 450**  
**freedom 455**

**PARTS LIST**

<b>Ref</b>	<b>Description</b>	<b>Freedom 450 Part #</b>	<b>Qty</b>	<b>Freedom 455 Part #</b>	<b>Qty</b>
1	Lid	P00146066A	1	P00146066A	1
2a	Hot plate	P05702030H	1	P05702030H	1
2b	Hot plate handle	P00203022H	2	P00203022H	2
3	Pot support	P00814004D	1	P00814004D	1
4	Pot burner frame	P0071322FC	1	P0071322FC	1
5	Pot burner	P02002057A	1	P02002057A	1
6	Electrode – <i>pot burner</i>	P02606007A	1	P02606007A	1
7	Gas collector with electrode – <i>hot plate burner</i>	P02613002A	1	P02613002A	1
8	Control panel – <i>with screen print, 30 mbar</i>	P02907941B	1	P02907911B	1
	– <i>with screen print, 50 mbar</i>	P02907941C	1	P02907911C	1
9	Control knob	P03419423R	2	P03419423O	2
10	Control knob seat	P03415263L	2	P03415263L	2
11	Gas valve / manifold assembly – <i>30 mbar</i>	Y0060408	1	Y0060408	1
	– <i>50 mbar</i>	Y0060409	1	Y0060409	1
11a	Gas valve – <i>without orifice</i>	P03222116A	2	P03222116A	2
11b	Orifice – <i>pot burner, 30 mbar</i>	P06517030A	1	P06517030A	1
	– <i>pot burner, 50 mbar</i>	P06517033A	1	P06517033A	1
11c	Orifice – <i>hot plate burner propane, 30 mbar</i>	P06517028A	1	P06517028A	1
	– <i>hot plate burner propane, 50 mbar</i>	P06517031A	1	P06517031A	1
11d	Manifold heat shield	P03007153B	1	P03007153B	1
11e	Manifold tube	P05001132D	1	P05001132D	1
12	Electronic igniter – <i>2 port</i>	P02502172C	1	P02502172C	1
13	Hot plate burner	P02008028A	1	P02008028A	1
14	Bowl panel – <i>top</i>	P0073940DC	1	P0073940DC	1
15	Hot plate burner frame	P0071323BC	1	P0071323BC	1
16	Universal hose barb	P03901024A	1	P03901024A	1
17	Bowl panel – <i>rear</i>	P00725711B	1	P00725711B	1
18	Bowl panel – <i>left</i>	P00720725B	1	P00720725B	1
19	Bowl panel – <i>right</i>	P00721725B	1	P00721725B	1
20	Lighting tube – <i>manual</i>	P05507005A	1	P05507005A	1
21	Grease tube	P02721033C	1	P02721033C	1
22	Door hinge bracket – <i>bottom right</i>	P03313003D	1	P03313003D	1
23	Grease receptacle	P02701087B	1	P02701087B	1
24	Trolley panel – <i>top</i>	P01001052D	1	P01001052D	1
25	Trolley panel – <i>left</i>	P07605013B	1	P07605013B	1
26	Trolley panel – <i>right</i>	P07618014B	1	P07618014B	1
27	Trolley panel – <i>rear</i>	P07702057B	1	P07702057B	1
28	Trolley bracket – <i>front</i>	P03305041D	1	P03305041D	1
29	Door hinge bracket – <i>top right</i>	P03313002D	1	P03313002D	1
30	Trolley bottom shelf – <i>cylinder hole</i>	P01002032D	1	P01002032D	1
31	Door	P04304001B	1	P04301019A	1
32	Door handle	P00205029B	1	P00205029B	1
33	Door trim plate	P07510002B	1	P07510002E	1
34	Door spacer	P06801010G	2	P06801010G	2
35	Door magnet	P05523002K	2	P05523002K	2
36	Door stop plate	P05510002B	2	P05510002B	2
37	Castor 3" – <i>with brake</i>	P05119001A	4	P05119001A	4
38	Castor seat – <i>left rear, right front</i>	P05327008G	2	P05327008G	2
39	Castor seat – <i>left front, right rear</i>	P05327007G	2	P05327007G	2
40	Pot burner cap	P02013050G	1	P02013050G	1
41	Gas cylinder bracket	P03327020D	1	P03327020D	1
42	Frame for gas cylinder	P04021004C	1	P04021004C	1
43	Gas cylinder strap	P05314001V	1	P05314001V	1
44	Electronic wire set	P02615100A	1	P02615100A	1
	Hardware pack	P06003073A	1	P06003073A	1
	Operating instructions	P80172004K	1	P80172004K	1

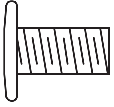
## PARTS DIAGRAM

This diagram is provided to assist you identify parts if replacement is necessary. Contact your place of purchase to enquire about parts, availability and or service.  
Items included in your barbecue may differ from the Parts List, depending on region or specific dealer specifications.

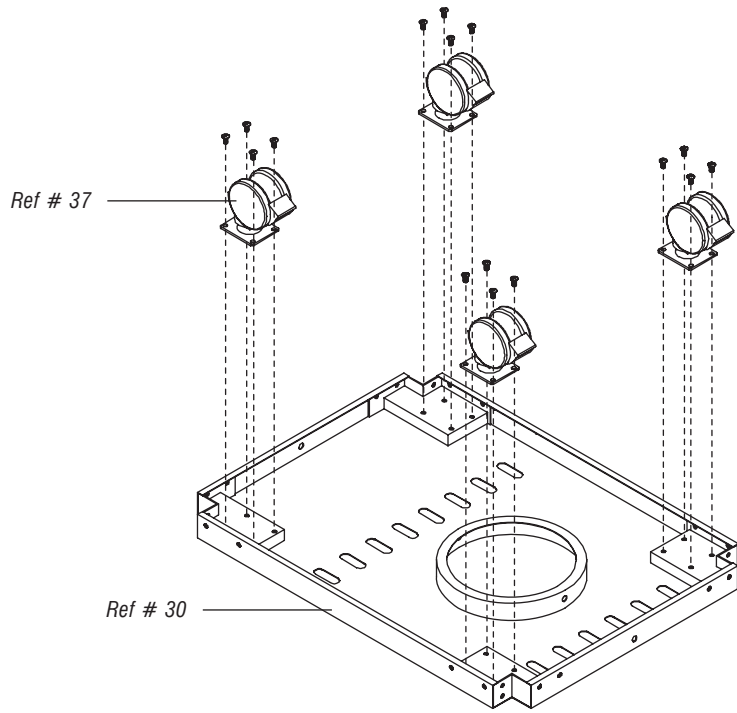


**ASSEMBLY**

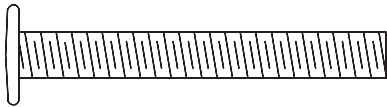
1



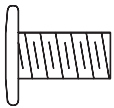
Phillips-head screw 1/4" x 1/2"  
Qty: 16



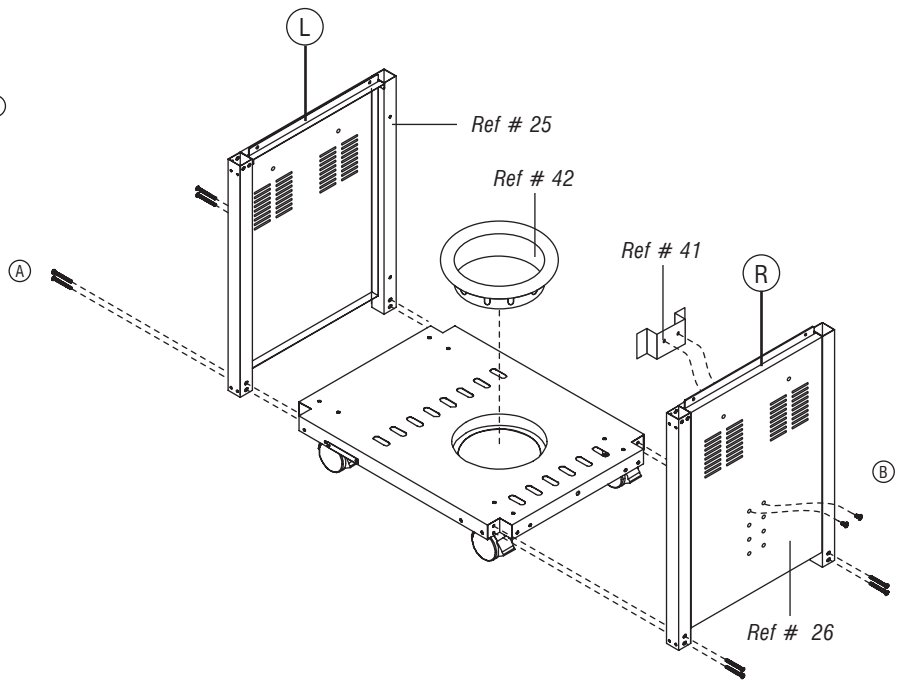
2



Phillips-head screw 1/4" x 2"  
Qty: 8

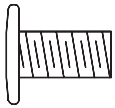


Phillips-head screw 1/4" x 1/2"  
Qty: 2

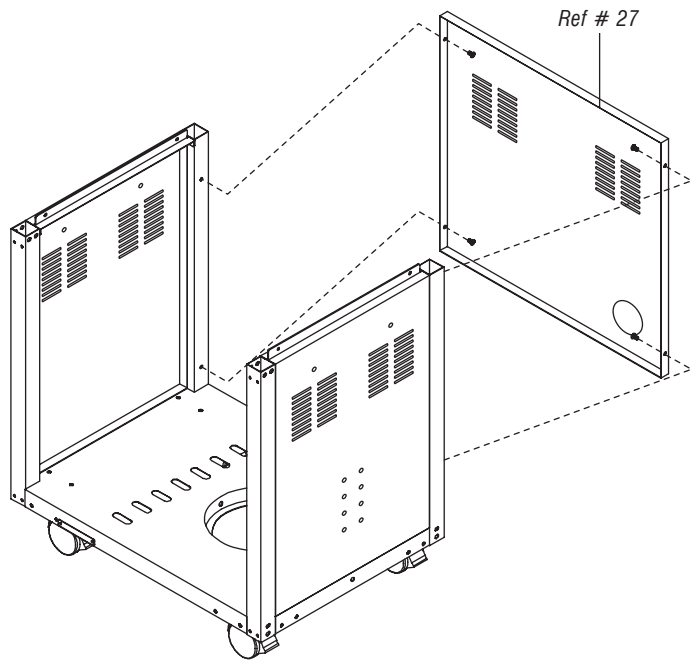


4

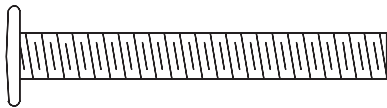
3



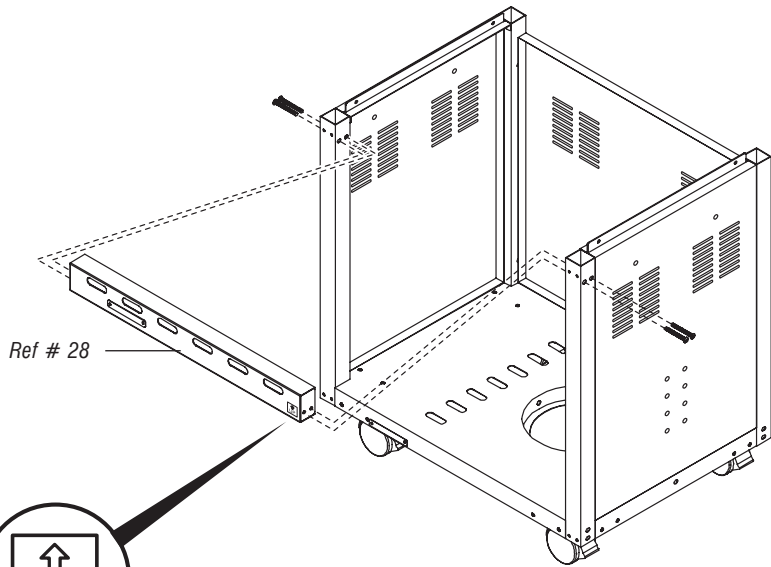
Phillips-head screw 1/4" x 1/2"  
Qty: 4



4



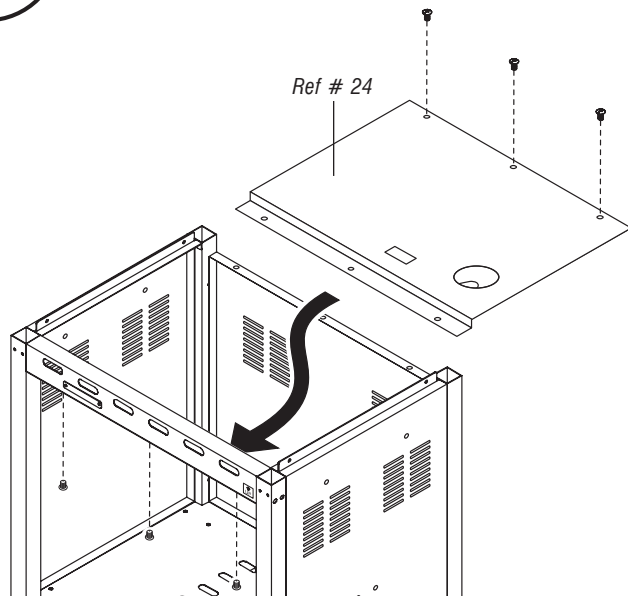
Phillips-head screw 1/4" x 2"  
Qty: 4



5

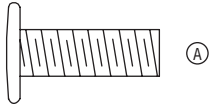


Bracket  
Phillips-head screw M4 x 8 mm  
Qty: 6



5

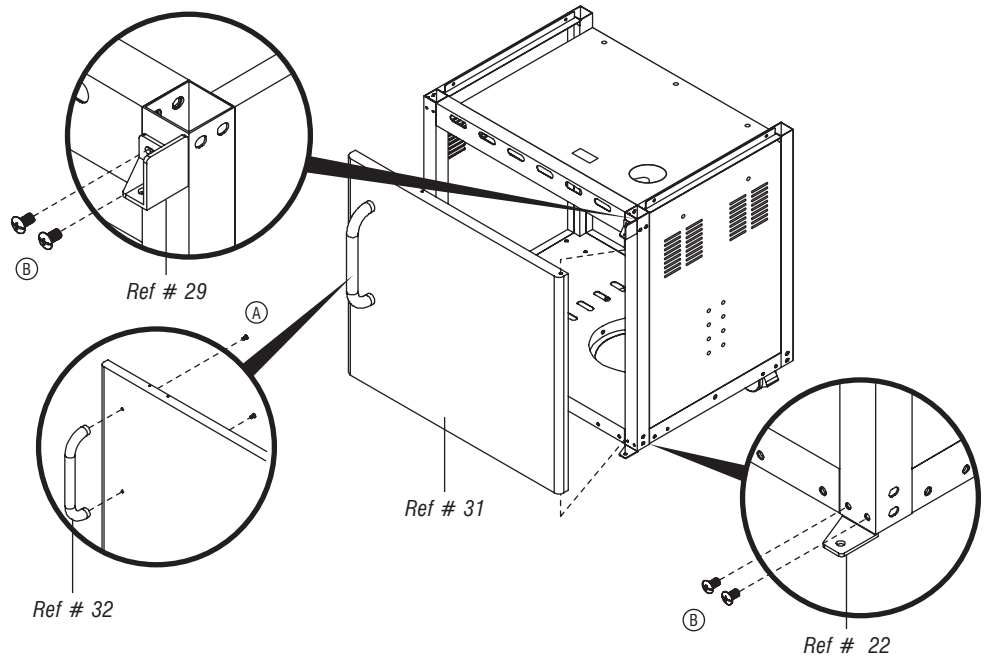
6



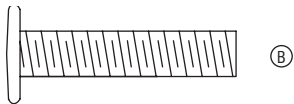
*Door handles*  
Phillips-head screw  $\frac{1}{4}$ " x  $\frac{3}{4}$ "  
(Stainless steel)  
Qty: 2



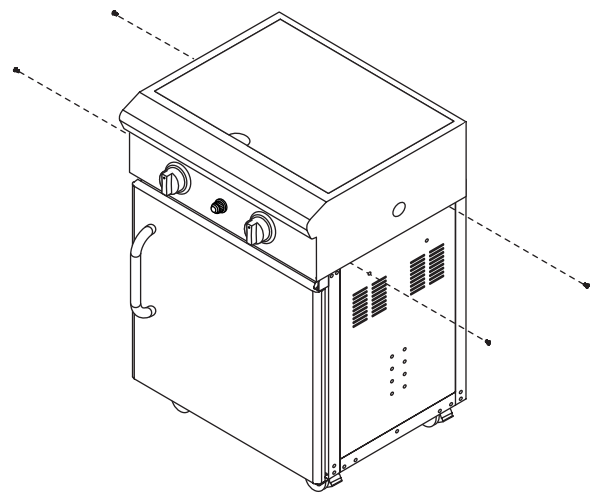
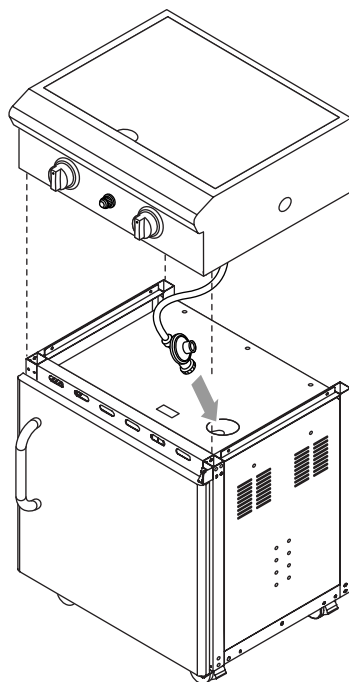
*Door hinges*  
Phillips-head screw  $\frac{3}{16}$ " x  $\frac{3}{8}$ "  
Qty: 4



7

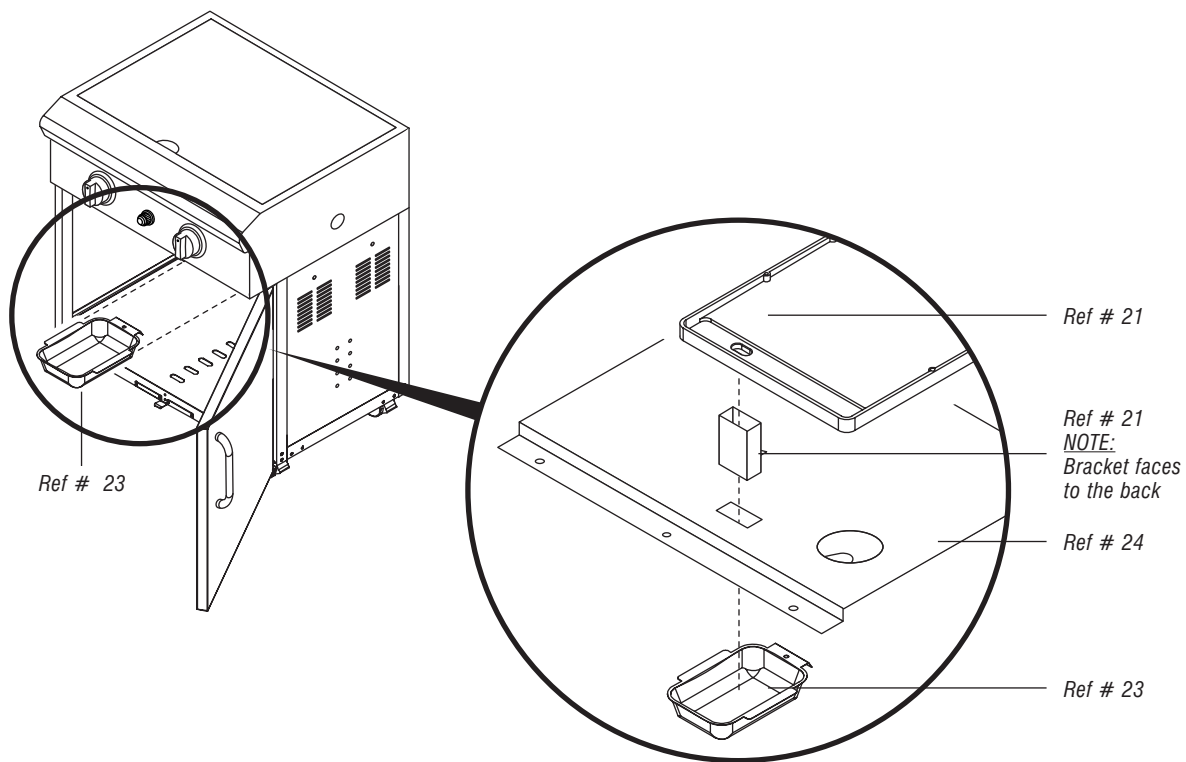


*Barbecue body to trolley*  
Phillips-head screw  $\frac{1}{4}$ " x  $1\frac{3}{16}$ "  
Qty: 4

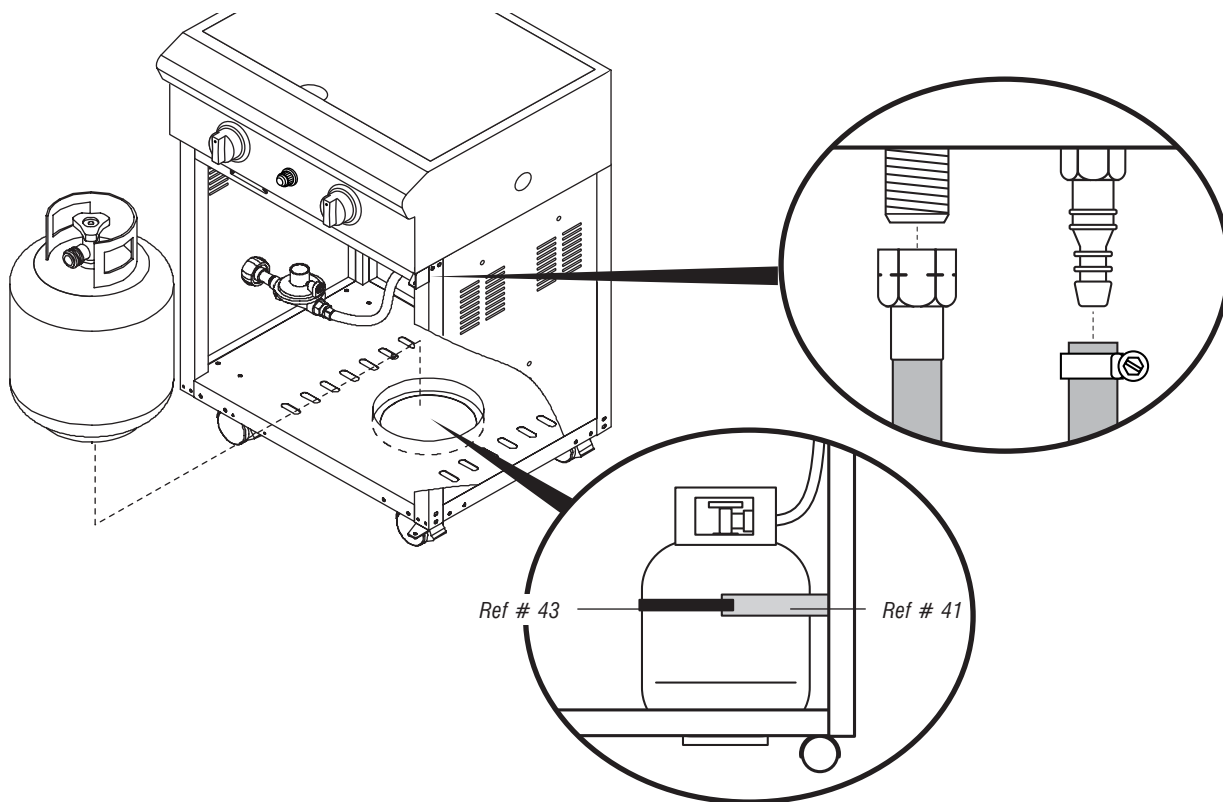


6

9



10



### WARNINGS INFORMATION

**(GB)** DO NOT OBSTRUCT THE VENTILATION OPENINGS IN THE TROLLEY.

**(FR)** NE PAS BOUCHER LES OUVERTURES DE VENTILATION DANS LE CHARIOT.

**(DE)** NICHT DIE VENTILATIONSÖFFNUNGEN IM WAGEN BLOCKIEREN.

**(IT)** NON OSTRUIRE LE APERTURE DI VENTILAZIONE DEL CARRELLO.

**(NL)** DE VENTILATIEOPENINGEN IN DE TROLLEY NIET BLOKKEREN.

**(SE)** BLOCKERA EJ VENTILATIONSHÅLEN I GRILLBAREN.

**(FI)** KÄRRYN TUULETUSAUUKKOJA EI SAA PEITTÄÄ.

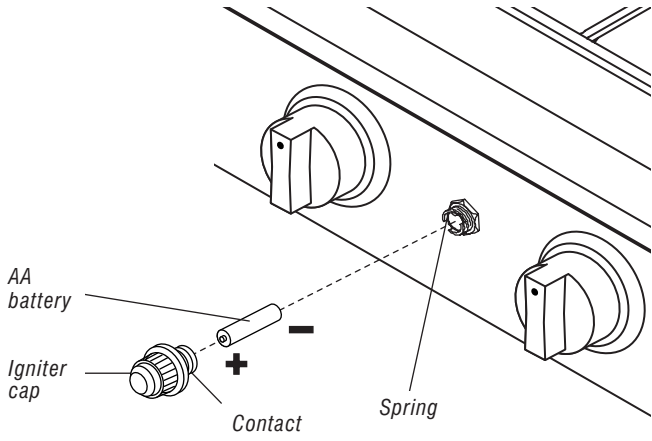
**(ES)** NO OBSTRUYA LAS ABERTURAS DE VENTILACIÓN DEL CARRITO.

**(PT)** NÃO OBSTRUA AS ABERTURAS DE VENTILAÇÃO NO TRÓLEI.

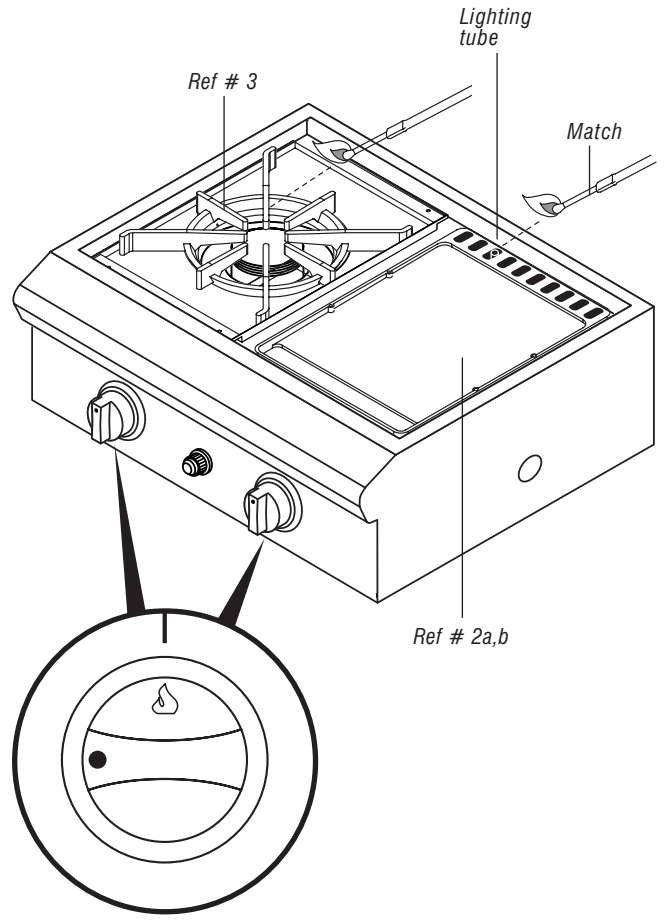
**(DK)** VENTILATIONSÅBNINGEN I TROLLEYEN MÅ IKKE SPÆRRES.

**(NO)** VENTILASJONSÅPNINGENE PÅ TRALLEN MÅ IKKE TILDEKKES.

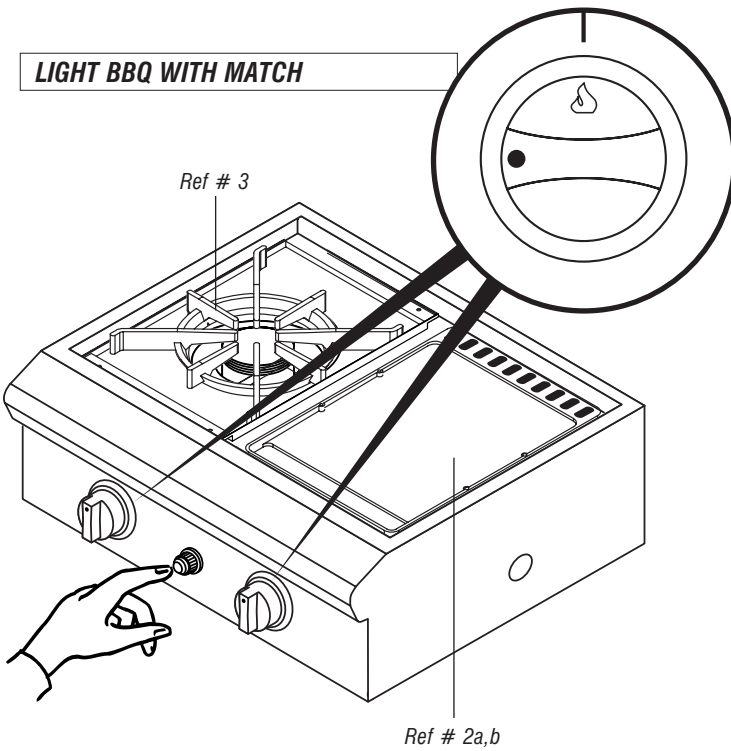
**IGNITION BATTERY**



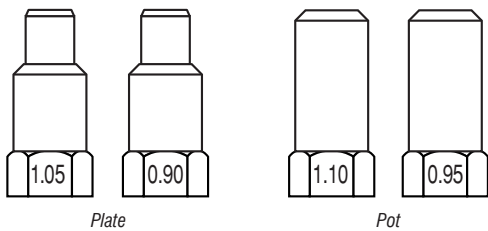
**LIGHT BBQ WITH MATCH**



**LIGHT BBQ WITH MATCH**



## INJECTOR



•Plate	1.05 mm	- I 3+ (28-30/37)
	0.90 mm	- I 3B/P (50)
•Pot	1.10 mm	- I 3+ (28-30/37)
	0.95 mm	- I 3B/P (50)

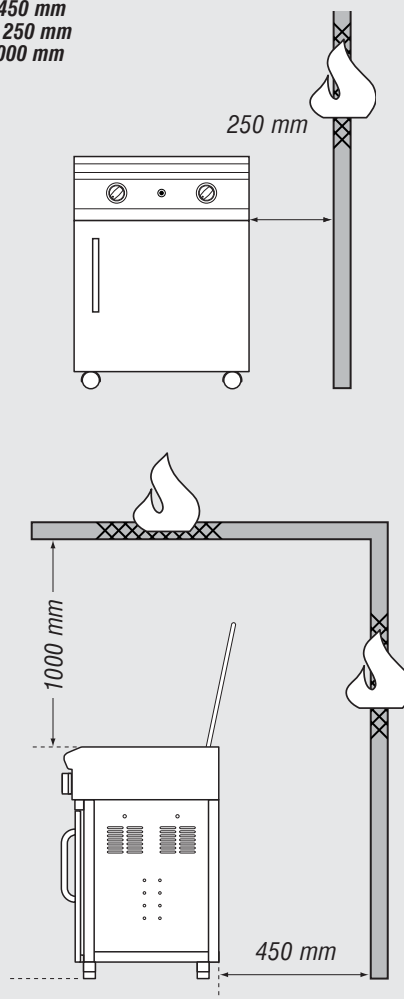
## INPUT

•Plate	4.5 kW	- 327 grams / h
•Side	5.5 kW	- 400 grams / h

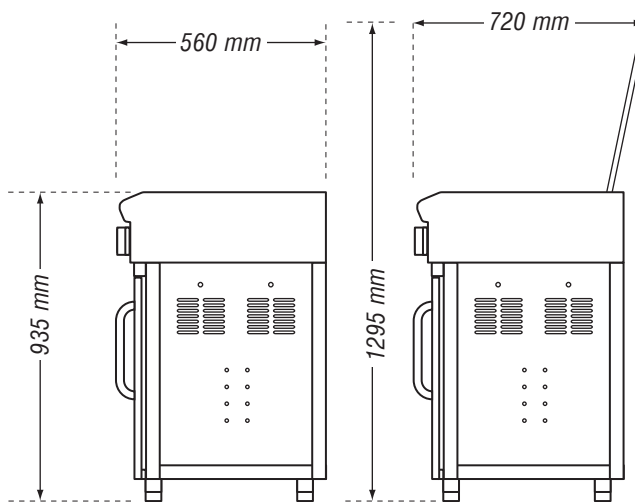
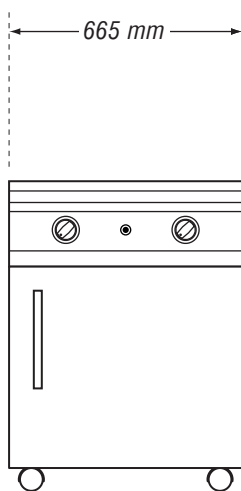


## WARNINGS INFORMATION

- **MINIMUM CLEARANCES FROM COMBUSTIBLE MATERIALS MUST BE:**  
**REAR - 450 mm**  
**SIDES - 250 mm**  
**TOP - 1000 mm**



## DIMENSIONS







Grand Hall Europe  
PO Box 431  
7570 AK Oldenzaal  
The Netherlands

[www.grandhall.eu](http://www.grandhall.eu)

**(IE) (GB) NOTE:** This information is a guide only. Items included in your BBQ specification may differ depending on region or specific dealer specification.

**(CH) (FR) NOTE:** Ces renseignements sont donnés à titre indicatif. Il est possible que les articles inclus dans les spécifications de votre barbecue diffèrent selon la région ou les caractéristiques stipulées par le concessionnaire.

**(AT) (CH) (DE) ANMERKUNG:** Diese Anleitung dient nur zu Informationszwecken. Einzelteile der Grillspezifikation sind unter Umständen verschieden entsprechend der Vertriebsregion oder bestimmten Händleranforderungen.

**(CH) (IT) AVVERTENZA:** Queste informazioni hanno il valore di guida soltanto. Gli articoli compresi nelle caratteristiche tecniche del barbecue potrebbero variare a seconda della regione o del concessionario.

**(LU) (BE) (NL) ATTENTIE:** Deze informatie is alleen bedoeld als gids. Onderdelen in uw BBQ specificatie en pakket kunnen per regio of per dealer verschillen.

**(SE) ANM.:** Denna information är endast avsedd som handledning. Specifikationerna för grillen kan variera regionalt eller beroende på de krav som olika återförsäljare har.

**(FI) HUOMATKAA:** Nämä tiedot ovat pelkästään suuntaa antavia. Ostamanne grillin yksityiskohdat voivat olla erilaiset paikkakunnan tai erityisten myyjäkohtaisten yksityiskohtien mukaan.

**(ES) NOTA:** Esta información es una guía únicamente. Es posible que las indicaciones incluidas en las especificaciones de su Asador sean diferentes según la región o las especificaciones específicas del representante.

**(PT) NOTA:** Esta informação é simplesmente um guia. Os itens incluídos na especificação do seu BBQ poderão diferir dependendo da especificação da região ou do vendedor específico.

**(DK) NB:** Denne information er kun vejledende. Specifikationer kan variere efter ønske fra forhandler, eller i henhold til nationale regler.

**(NO) NB:** Denne informasjon er kun veiledende. Spesifikasjoner kan variere som stipulert av forhandler, eller i henhold til nasjonale krav.

All specifications are subject to change without notice.

Toutes les caractéristiques sont susceptibles d'être modifiées sans préavis.

Änderungen ohne vorherige Bekanntgabe vorbehalten.

Tutti i dati tecnici possono cambiare senza preavviso.

Alle specificaties kunnen zonder voorafgaande kennisgeving worden gewijzigd.

Kaikki oikeudet teknisten tietojen muutoksiin pidätetään.

Kaikki yksityiskohdat voivat muuttua ilman, että niistä erikseen ilmoitetaan.

Todas las especificaciones están sujetas a cambios sin previo aviso.

Todas as especificações estão sujeitas a alteração sem aviso.

Alle specifikationer kan ændres foruden varsel.

Spesifikasjoner kan endres uten varsel.

Manufacturer:

Grand Hall Enterprises Co. Ltd.  
9th Fl. No 298 Rueiguang Rd  
Neihu, Taipei, Taiwan