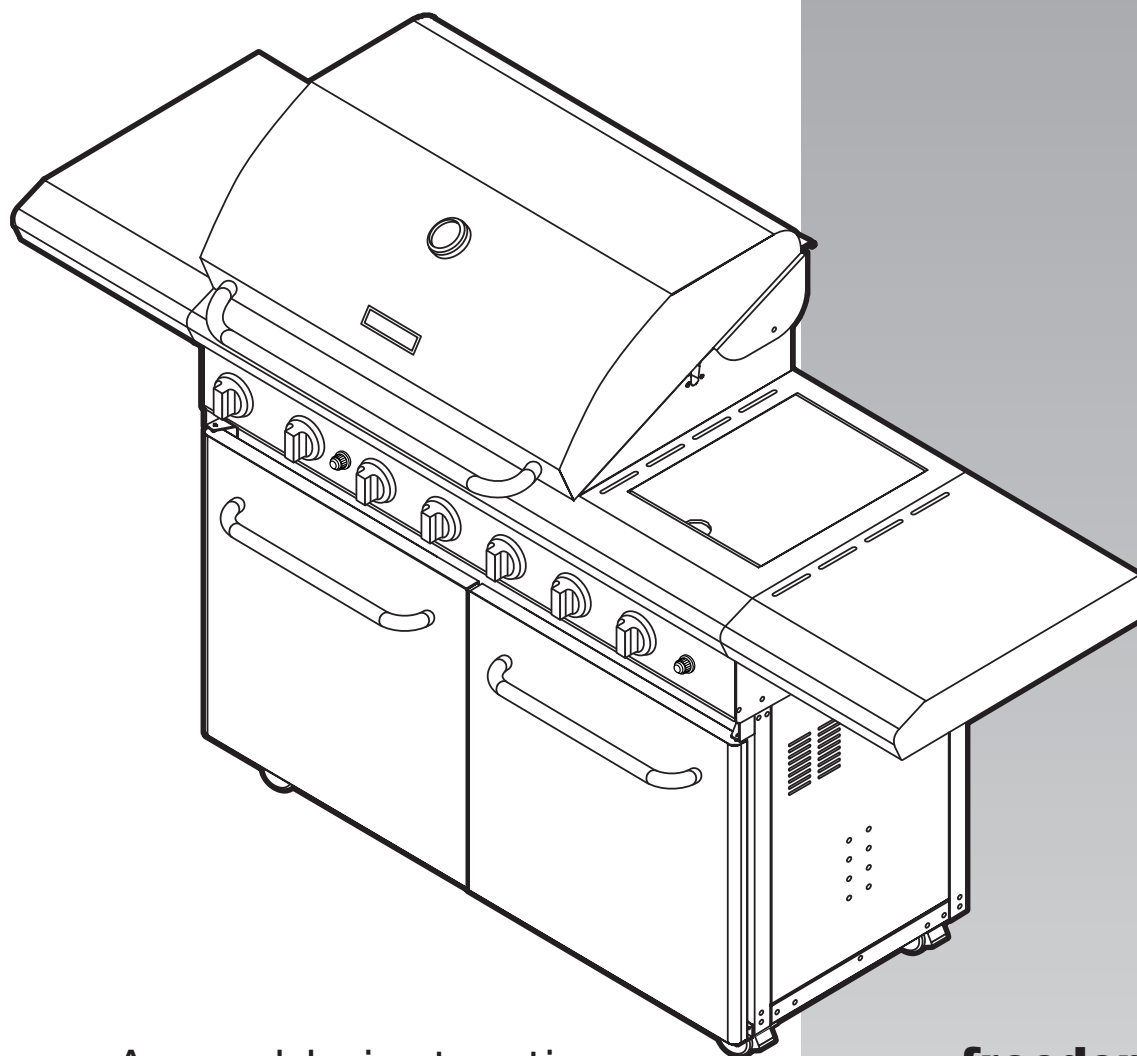




grandhall
outdoor living style

gas barbecue



- ⒾⒺ ⒼⒹ Assembly instructions
- ⒸⒽ ⒻⒼ Instructions d'assemblage
- ⒶⒿ ⒸⒽ ⒹⒺ Montageanweisungen
- ⒸⒽ ⒾⒿ Istruzioni per il montaggio
- ⒻⒸ ⒼⒺ ⒼⒻ Montage-instructies
- ⒸⒺ Montering
- ⒻⒾ Kokoamisohjeet
- ⒺⒸ Instrucciones de armado
- ⒶⒿ Instruções para Montagem
- ⒹⒾ Monteringsvejledning
- ⒼⒹ Montering

freedom 384

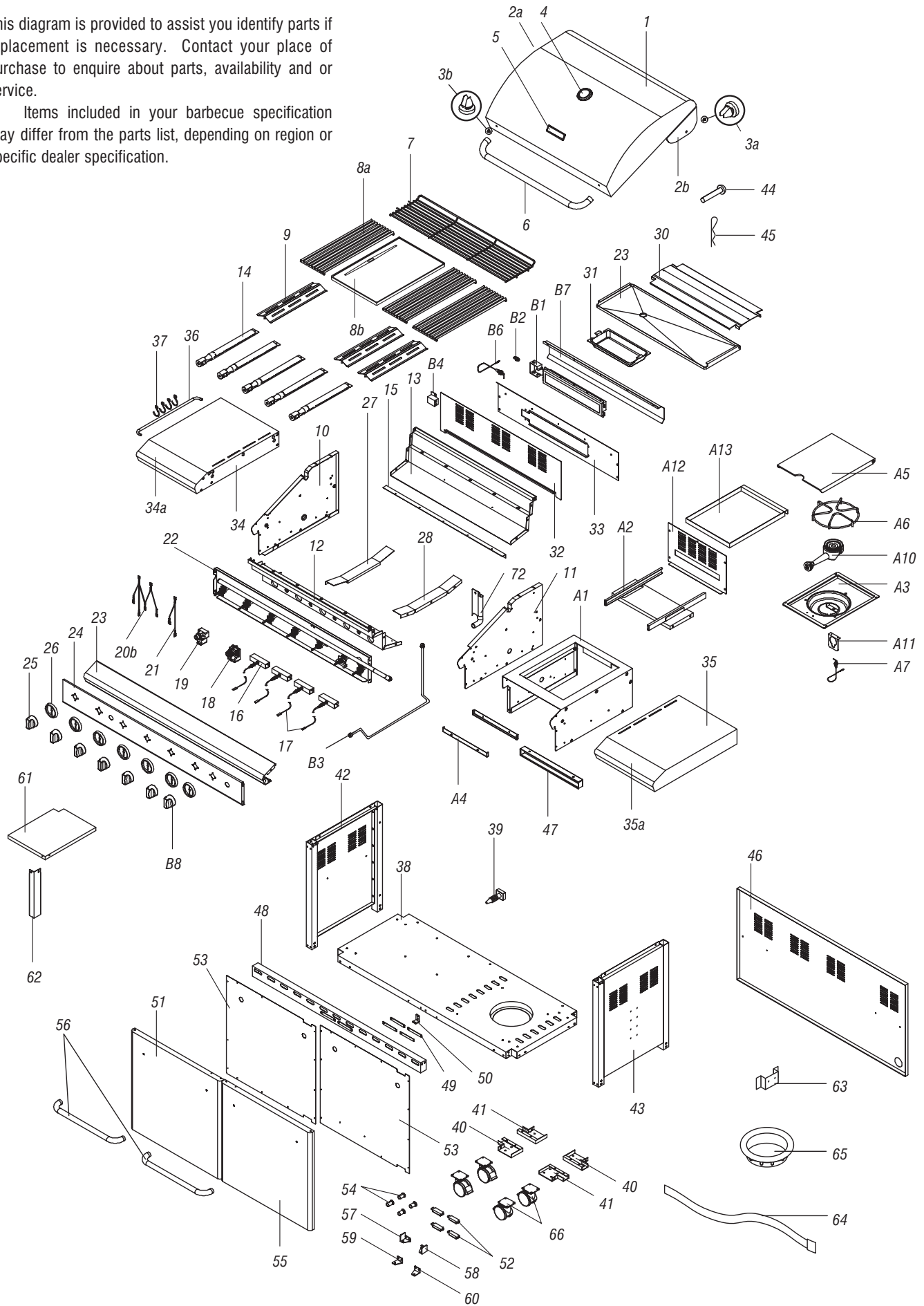
PARTS LIST

| Ref | Description | Part No. | Qty |
|------------|--|-----------------|------------|
| 1 | Hood assembly | P00147159C | 1 |
| 2a | Hood bracket – left | P00127309C | 1 |
| 2b | Hood bracket – right | P00128309C | 1 |
| 3a | Protective pad – rear | P05518001I | 2 |
| 3b | Protective pad – front | P05518026I | 2 |
| 4 | Temperature gauge | P00601301B | 1 |
| 5 | Hood badge | P00407006S | 1 |
| 6 | Hood handle | P00205034B | 1 |
| 7 | Cooking rack – fixed | P01515004B | 1 |
| 8a | Grill plate | P01604004B | 3 |
| 8b | Hot plate | P05702002E | 1 |
| 9 | Flame tamer | P01705009E | 3 |
| 10 | Body panel – left | P00720771A | 1 |
| 11 | Body panel – right | P00720781A | 1 |
| 12 | Body panel – front | P0073814KA | 1 |
| 13 | Body panel – rear | P0072526KA | 1 |
| 14 | Burner – main | P02008059A | 5 |
| 15 | Burner support bracket | P02210012B | 1 |
| 16 | Gas collector box with electrode | P026080124 | 4 |
| 17 | Electronic wire set | P02615028A | 1 |
| 18 | Electronic igniter – 4 port | P02502274C | 1 |
| 19 | Electronic igniter – 2 port | P02502282C | 1 |
| 20 | Electronic wire set – 6 point | P02615040A | 1 |
| 21 | Electronic wire set – 3 point | P02615027A | 1 |
| 22 | Gas valve / manifold / heat shield assembly – 30 mbar | Y0060600 | 1 |
| | – 50 mbar | Y0060601 | 1 |
| 22a | Manifold | P05010022H | 1 |
| 22b | Jet main burner – 30 mbar | P06519024A | 5 |
| | – 50 mbar | P06519026A | 5 |
| 22c | Jet side burner – 30 mbar | P06533003A | 1 |
| | – 50 mbar | P06533006A | 1 |
| 22d | Gas valve without jet – main / side | P03222102A | 6 |
| 22e | Gas valve – rotisserie | P03222104A | 1 |
| 22f | Heat shield | P0301105DB | 1 |
| 23 | Decorative front panel | P07508008A | 1 |
| 24 | Control panel – with screen print, 30 mbar | P02913271A | 1 |
| | – with screen print, 50 mbar | P02913281A | 1 |
| 25 | Control knob for main / side burner | P03419153H | 6 |
| 26 | Control knob seat | P03415263L | 7 |
| 27 | Grease tray track – left | P05330015K | 1 |
| 28 | Grease tray track – right | P05330016K | 1 |
| 29 | Grease draining tray | P02707036A | 1 |
| 30 | Grease draining tray heat shield | P06903026B | 1 |
| 31 | Grease receptacle | P02701075B | 1 |
| 32 | Body wind shield | P06906014B | 1 |
| 33 | Back burner frame | P00725824A | 1 |
| 34 | Side shelf – left | P01102020C | 1 |
| 34a | Side shelf decoration panel – left | P07503005P | 1 |
| 35 | Side shelf – right | P01103020C | 1 |
| 35a | Side shelf decoration panel – right | P07502015P | 1 |
| 36 | Tool holder | P05514008A | 1 |
| 37 | Tool hook | P05514053F | 4 |

| Ref | Description | Part No. | Qty |
|------------|---|-----------------|------------|
| 38 | Trolley bottom shelf | P01010019D | 1 |
| 39 | Universal hose barb | P03901024A | 1 |
| 40 | Castor seat – left front, right rear | P05327007G | 2 |
| 41 | Castor seat – right front, left rear | P05327008G | 2 |
| 42 | Trolley legs with side panel – left | P07617013B | 1 |
| 43 | Trolley legs with side panel – right | P07618022B | 1 |
| 44 | Hood hinge pin | P05501014B | 2 |
| 45 | Hinge pin clip | P05501010B | 2 |
| 46 | Trolley rear panel | P07701037B | 1 |
| 47 | Trolley rear panel bracket | P03306006D | 1 |
| 48 | Trolley bracket – front | P03306008D | 1 |
| 49 | Door stop plate | P05510002B | 4 |
| 50 | Door guide plate | P05510006A | 1 |
| 51 | Door – left | P04302023D | 1 |
| 52 | Door magnet | P05523002K | 4 |
| 53 | Door trim plate | P07510005B | 2 |
| 54 | Door spacer | P06801010G | 4 |
| 55 | Door – right | P04303023D | 1 |
| 56 | Door handle | P00205057B | 2 |
| 57 | Door hinge bracket – top left | P03313004D | 1 |
| 58 | Door hinge bracket – top right | P03313002D | 1 |
| 59 | Door hinge bracket – bottom left | P03313005D | 1 |
| 60 | Door hinge bracket – bottom right | P03313003D | 1 |
| 61 | Trolley partition panel – left | P07512003B | 1 |
| 62 | Trolley partition panel bracket – left | P03303014D | 1 |
| 63 | Gas cylinder bracket | P03327020D | 1 |
| 64 | Gas cylinder strap | P05314001V | 1 |
| 65 | Frame for gas cylinder | P04021004C | 1 |
| 66 | Castor – 3" with brake | P05119001A | 4 |
| 72 | Manual lighting tube | P05313006C | 1 |
| A1 | Body panel outside – right | P00743036C | 1 |
| A2 | Side burner grease tray track assembly | P05516009G | 1 |
| A3 | Side burner body assembly | P02301011B | 1 |
| A4 | Side burner body bracket | P03306005C | 2 |
| A5 | Side burner lid | P00115346A | 1 |
| A6 | Pot support | P00805013G | 1 |
| A7 | Side burner electrode | P02607006C | 1 |
| A10 | Side burner body with brass burner ring | P02002007A | 1 |
| A11 | Side burner bracket | P02215072E | 1 |
| A12 | Side burner wind shield | P06905053B | 1 |
| A13 | Side burner grease tray | P0271801EB | 1 |
| B1 | Back burner assembly | P02007003A | 1 |
| B2 | Back burner orifice – 30 mbar | P06509003A | 1 |
| | – 50 mbar | P06535001A | 1 |
| B3 | Back burner extension tube | P03717034A | 1 |
| B4 | Back burner gas collector box | P02621001K | 1 |
| B6 | Back burner electrode | P02614009C | 1 |
| B7 | Back burner wind shield | P06905045B | 1 |
| B8 | Back burner control knob | P03419163H | 1 |
| | Hardware pack | P06028005A | 1 |
| | Operating instructions | P80181008M | 1 |

This diagram is provided to assist you identify parts if replacement is necessary. Contact your place of purchase to enquire about parts, availability and or service.

Items included in your barbecue specification may differ from the parts list, depending on region or specific dealer specification.

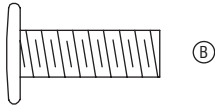


ASSEMBLY

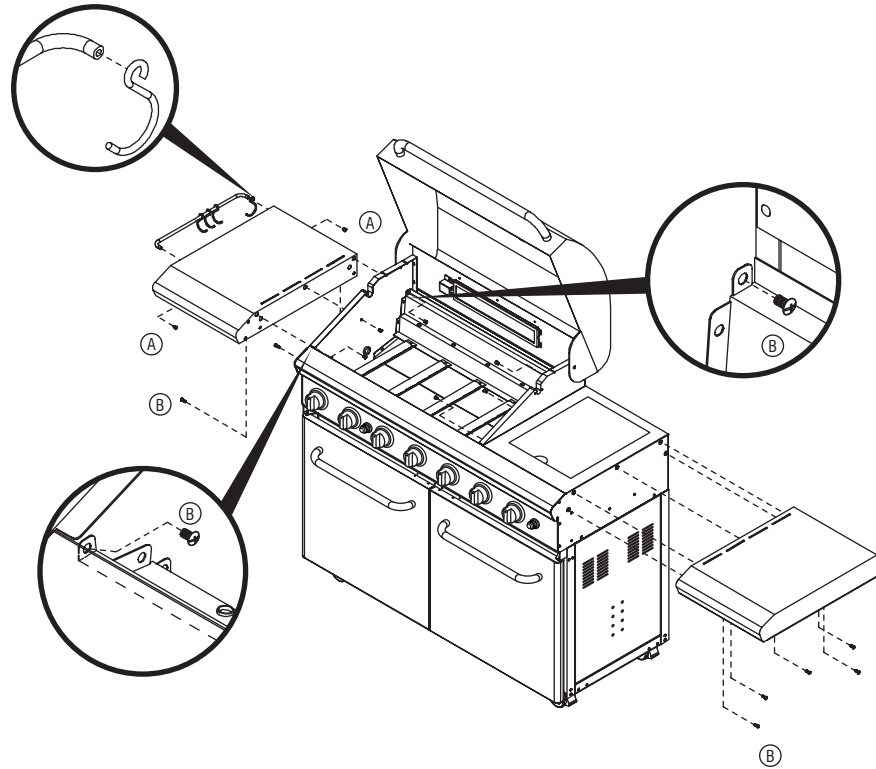
1



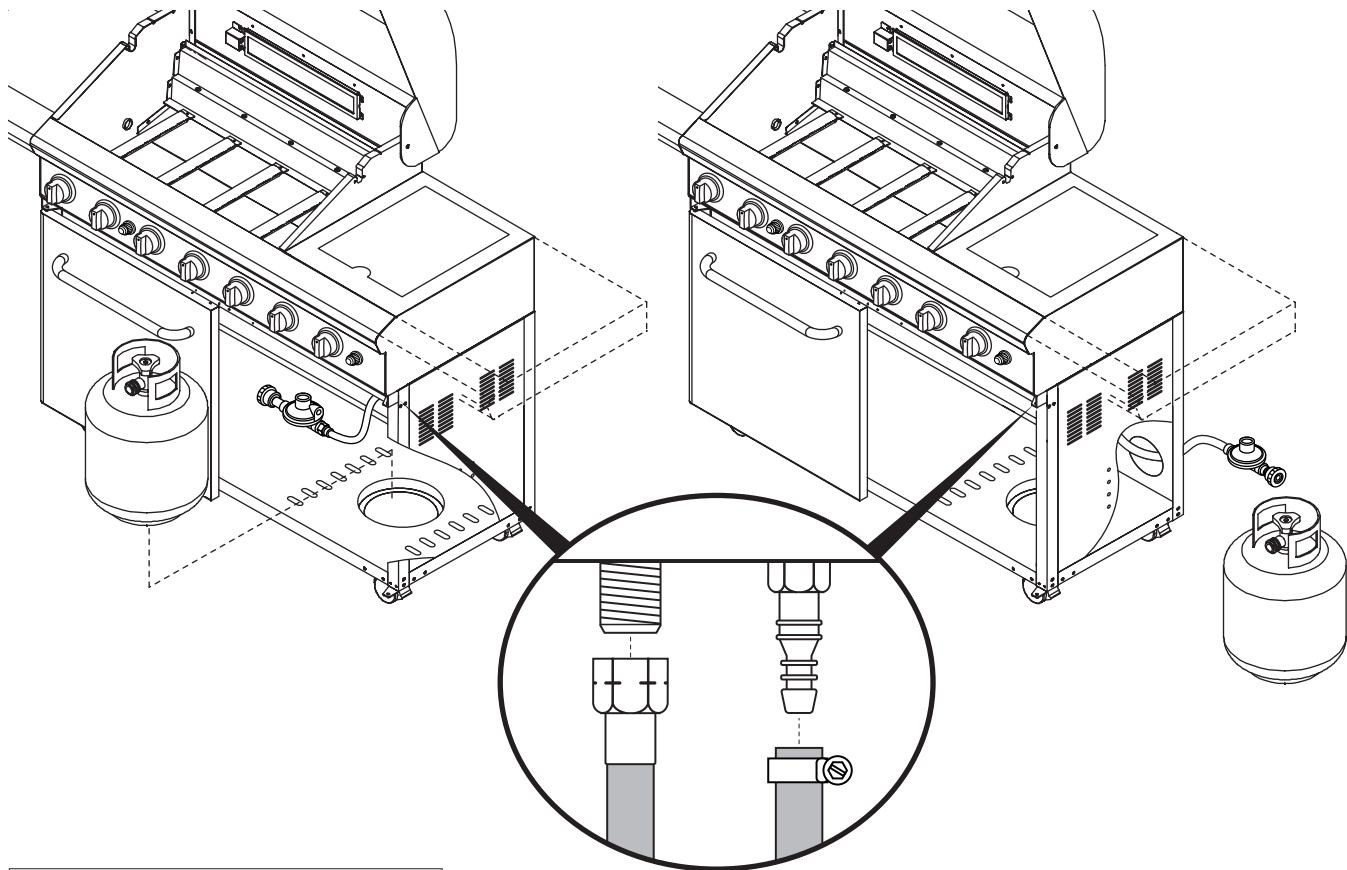
Tool holder to side shelf
Phillips-head screw
M5 x 8 mm
Qty: 2



Side shelves / side burner to barbecue head
Phillips-head screw
1/4" x 3/4"
Qty: 10



2



WARNINGS INFORMATION

(GB) DO NOT OBSTRUCT THE VENTILATION OPENINGS IN THE TROLLEY.

(FR) NE PAS BOUCHER LES OUVERTURES DE VENTILATION DANS LE CHARIOT.

(DE) NICHT DIE VENTILATIONSÖFFNUNGEN IM WAGEN BLOCKIEREN.

(IT) NON OSTRUIRE LE APERTURE DI VENTILAZIONE DEL CARRELLO.

(NL) DE VENTILATIEOPENINGEN IN DE TROLLEY NIET BLOKKEREN.

(SE) BLOCKERA EJ VENTILATIONSHÅLEN I GRILLBAREN.

(FI) KÄRRYÄN TUULETUSAUKKOJA EI SAA PEITTÄÄ.

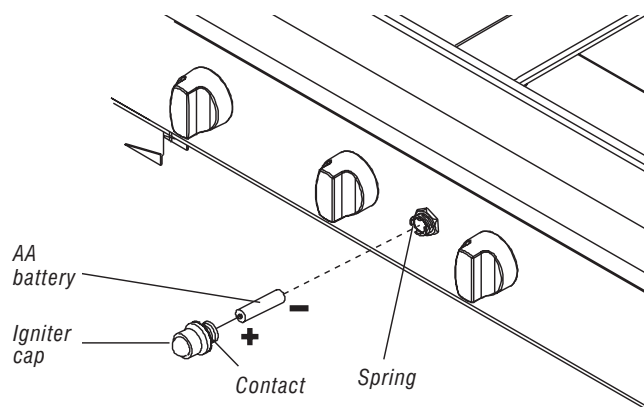
(ES) NO OBSTRUYA LAS ABERTURAS DE VENTILACIÓN DEL CARRITO.

(PT) NÃO OBSTRUA AS ABERTURAS DE VENTILAÇÃO NO TROLEI.

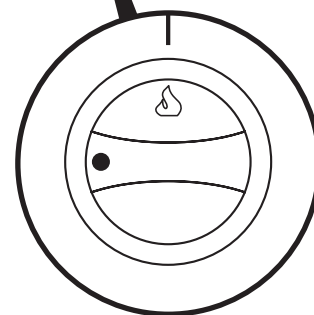
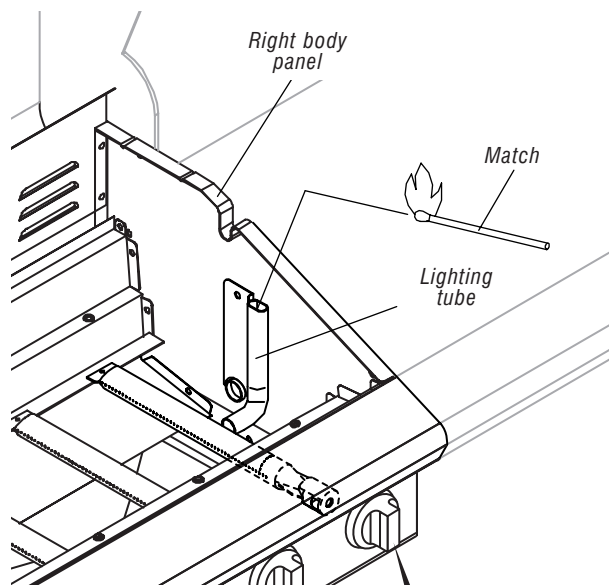
(DK) VENTILATIONSÅBNINGEN I TROLLEYEN MÅ IKKE SPÆRRES.

(NO) VENTILASJONSÅPNINGENE PÅ TRALLEN MÅ IKKE TILDEKKES.

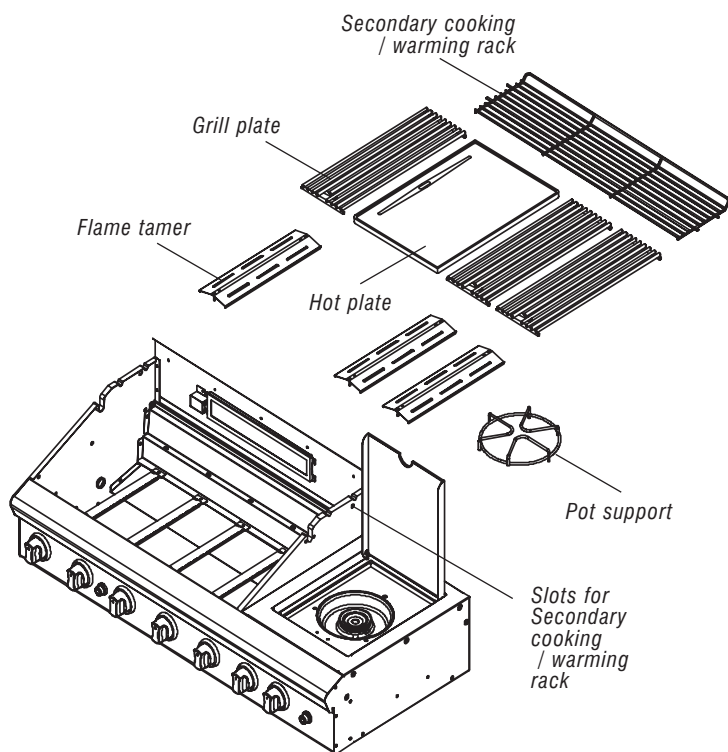
IGNITION BATTERY



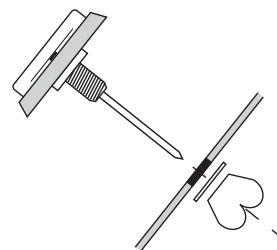
LIGHT BBQ WITH MATCH



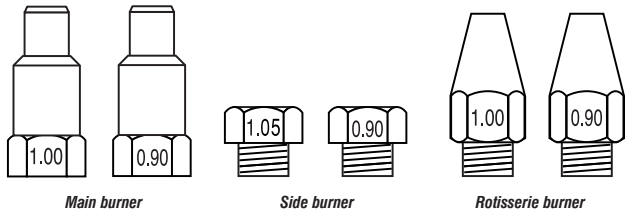
COOKING COMPONENT INSTALLATION



TEMPERATURE GAUGE



INJECTOR



| | | |
|--------------|---------|-------------------|
| • Main | 1.00 mm | - I 3+ (28-30/37) |
| | 0.90 mm | - I 3B/P (30) |
| • Side | 1.05 mm | - I 3+ (28-30/37) |
| | 0.90 mm | - I 3B/P (30) |
| • Rotisserie | 1.00 mm | - I 3+ (28-30/37) |
| | 0.90 mm | - I 3B/P (30) |

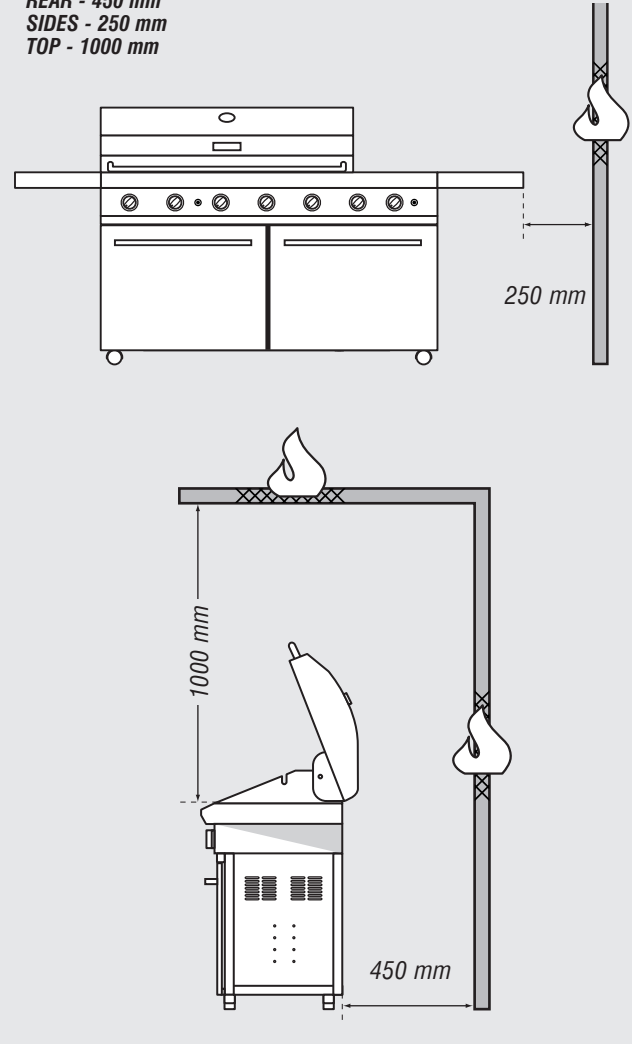
INPUT

| | | |
|--------------|---------|------------------|
| • Main | 22.0 kW | - 1598 grams / h |
| • Side | 4.5 kW | - 1598 grams / h |
| • Rotisserie | 4.2 kW | - 1598 grams / h |

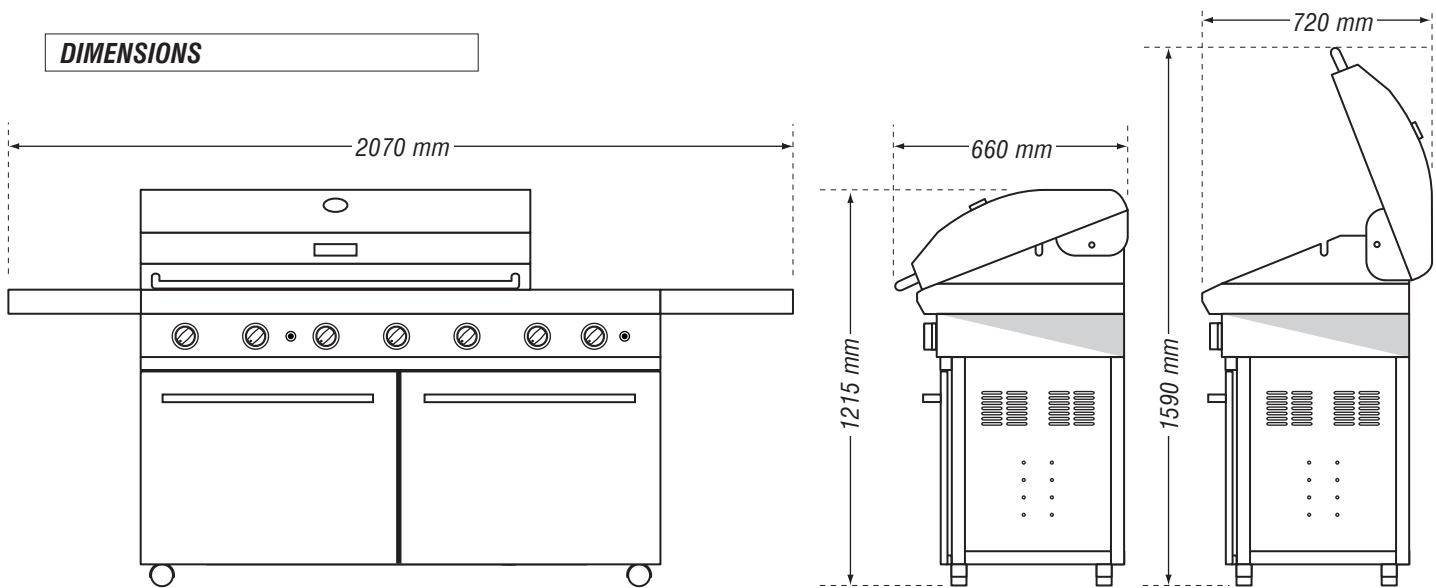


WARNINGS INFORMATION

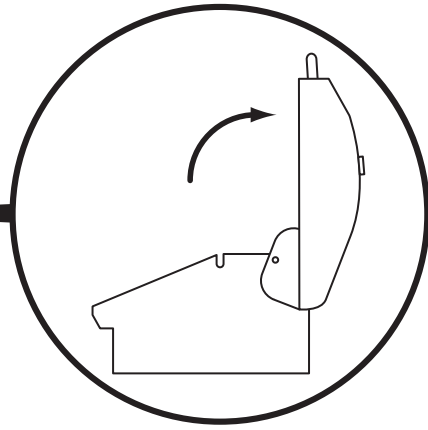
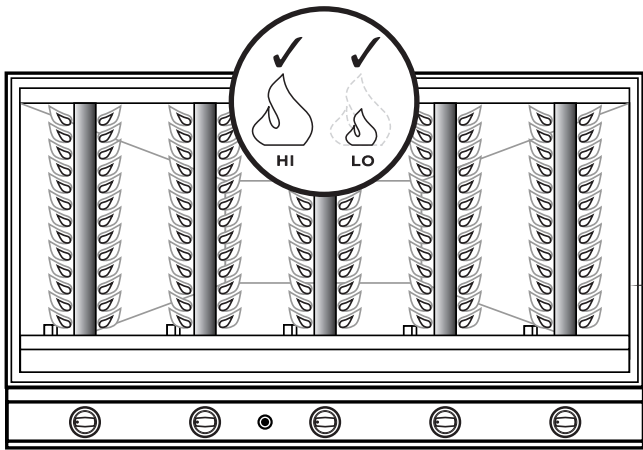
- **MINIMUM CLEARANCES FROM COMBUSTIBLE MATERIALS MUST BE:**
 REAR - 450 mm
 SIDES - 250 mm
 TOP - 1000 mm



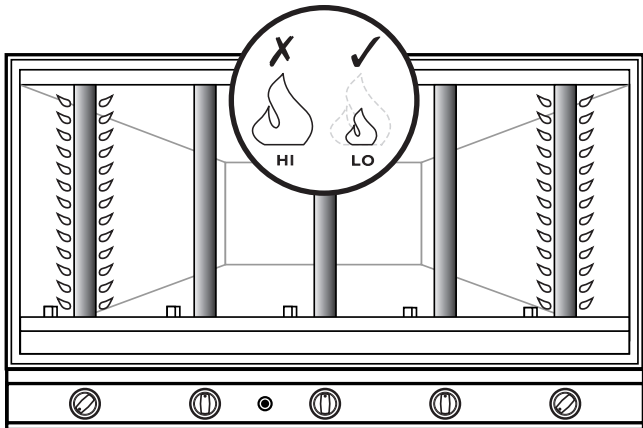
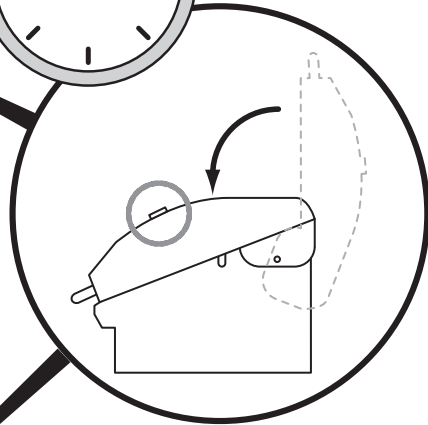
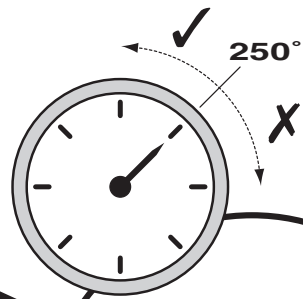
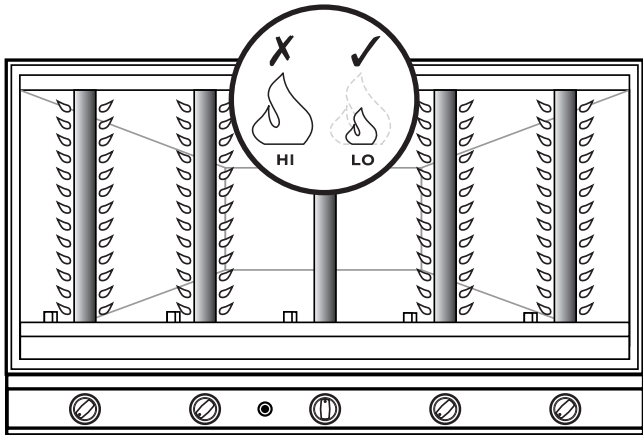
DIMENSIONS



COOKING WITH HOOD OPEN



COOKING WITH HOOD DOWN



grandhall

outdoor living style

Grand Hall Europe
PO Box 431
7570 AK Oldenzaal
The Netherlands

www.grandhall.eu

(IE) (GB) NOTE: This information is a guide only. Items included in your BBQ specification may differ depending on region or specific dealer specification.

(CH) (FR) NOTE: Ces renseignements sont donnés à titre indicatif. Il est possible que les articles inclus dans les spécifications de votre barbecue diffèrent selon la région ou les caractéristiques stipulées par le concessionnaire.

(AT) (CH) (DE) ANMERKUNG: Diese Anleitung dient nur zu Informationszwecken. Einzelteile der Grillspezifikation sind unter Umständen verschieden entsprechend der Vertriebsregion oder bestimmten Händleranforderungen.

(CH) (IT) AVVERTENZA: Queste informazioni hanno il valore di guida soltanto. Gli articoli compresi nelle caratteristiche tecniche del barbecue potrebbero variare a seconda della regione o del concessionario.

(LU) (BE) (NL) ATTENTIE: Deze informatie is alleen bedoeld als gids. Onderdelen in uw BBQ specificatie en pakket kunnen per regio of per dealer verschillen.

(SE) ANM: Denna information är endast avsedd som handledning. Specifikationerna för grillen kan variera regionalt eller beroende på de krav som olika återförsäljare har.

(FI) HUOMATKAA: Nämä tiedot ovat pelkästään suuntaa antavia. Ostamanne grillin yksityiskohdat voivat olla erilaiset paikkakunnan tai erityisten myyjäkohtaisten yksityiskohtien mukaan.

(ES) NOTA: Esta información es una guía únicamente. Es posible que las indicaciones incluidas en las especificaciones de su Asador sean diferentes según la región o las especificaciones específicas del representante.

(PT) NOTA: Esta informação é simplesmente um guia. Os itens incluídos na especificação do seu BBQ poderão diferir dependendo da especificação da região ou do vendedor específico.

(DK) NB: Denne information er kun vejledende. Specifikationer kan variere efter ønske fra forhandler, eller i henhold til nationale regler.

(NO) NB: Denne informasjon er kun veiledende. Spesifikasjoner kan variere som stipulert av forhandler, eller i henhold til nasjonale krav.

All specifications are subject to change without notice.

Toutes les caractéristiques sont susceptibles d'être modifiées sans préavis.

Änderungen ohne vorherige Bekanntgabe vorbehalten.

Tutti i dati tecnici possono cambiare senza preavviso.

Alle specificaties kunnen zonder voorafgaande kennisgeving worden gewijzigd.

Kaikki oikeudet teknisten tietojen muutoksiin pidätetään.

Kaikki yksityiskohdat voivat muuttua ilman, että niistä erikseen ilmoitetaan.

Todas las especificaciones están sujetas a cambios sin previo aviso.

Todas as especificações estão sujeitas a alteração sem aviso.

Alle specifikationer kan ændres foruden varsel.

Spesifikasjoner kan endres uten varsel.

Manufacturer:

Grand Hall Enterprises Co. Ltd.
9th Fl. No 298 Rueiguang Rd
Neihu, Taipei, Taiwan