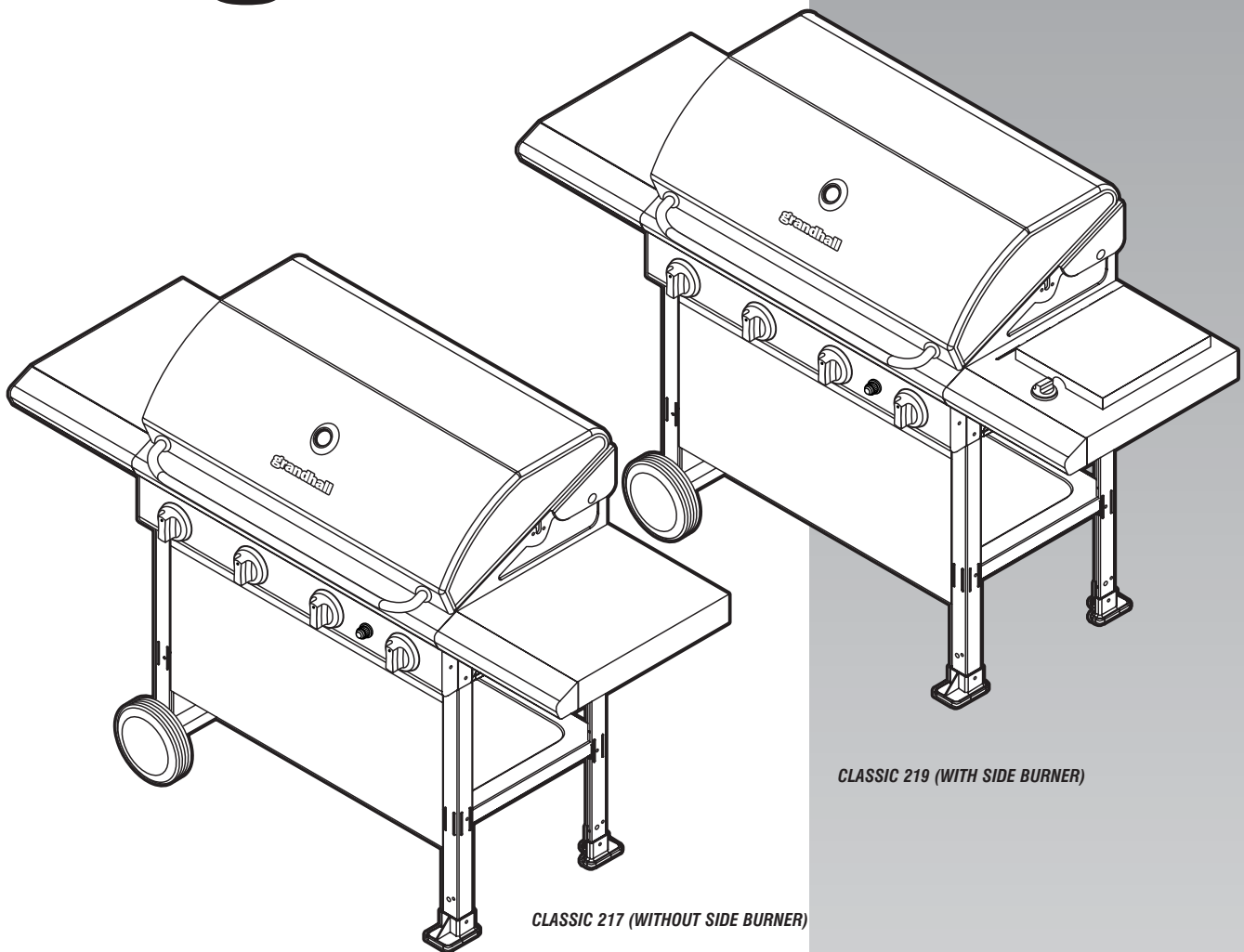


gas barbecue



CLASSIC 219 (WITH SIDE BURNER)

CLASSIC 217 (WITHOUT SIDE BURNER)

- ⒾⒺ Ⓒ⒃ Assembly instructions
- ⒸⒽ ⒻⒼ Instructions d'assemblage
- ⒶⒿ ⒸⒽ ⒹⒺ Montageanweisungen
- ⒸⒽ ⒾⒿ Istruzioni per il montaggio
- ⒴Ⓒ ⒸⒺ ⒼⒻ Montage-instructies
- ⒸⒺ Montering
- ⒻⒾ Kokoamisohjeet
- Ⓔ⒮ Instrucciones de armado
- ⒻⒿ Instruções para Montagem
- ⒹⒻ Monteringsvejledning
- ⒼⒹ Montering

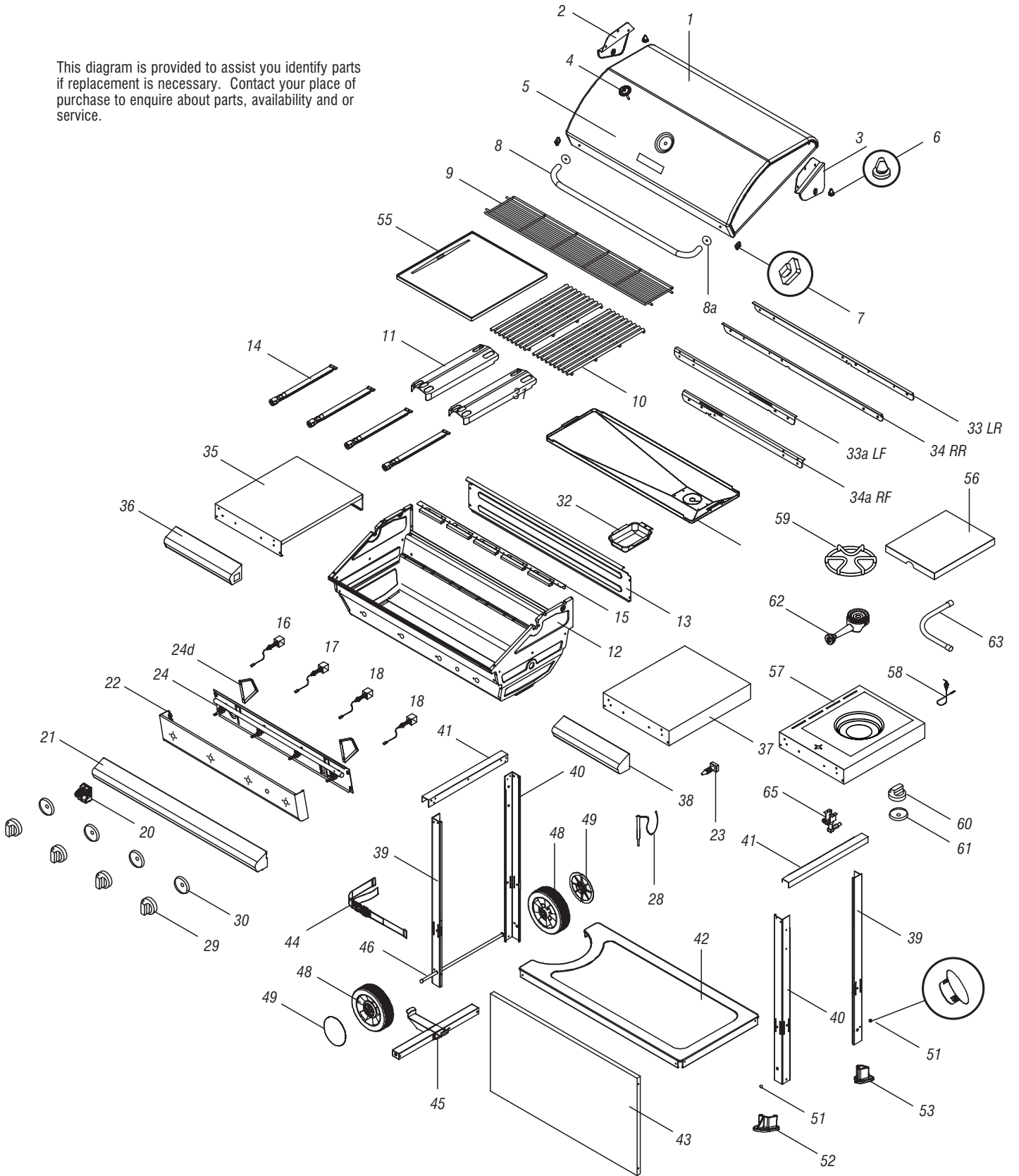
classic 217
classic 219

PARTS LIST

Ref	Description	Classic 217	Classic 219	Qty
1	Hood	P00146179B	P00146179B	1
2	Hood hinge support – <i>left</i>	P00127314B	P00127314B	1
3	Hood hinge support – <i>right</i>	P00128314B	P00128314B	1
4	Temperature gauge	P00601011B	P00601011B	1
5	Name plate	P00407006S	P00407006S	1
6	Protective pad – <i>rear</i>	P05518001I	P05518001I	2
7	Protective pad – <i>front</i>	P05518026I	P05518026I	2
8	Hood handle	P00205055B	P00205055B	1
8a	Hood handle plates	P00217001B	P00217001B	2
9	Secondary cooking rack	P01505018E	P01505018E	1
10	Grill plate	P01615031E	P01615031E	2
11	Flame tamer	P01705037E	P01705037E	2
12	Barbecue bowl	P00713384A	P00713384A	1
13	Wind shield – <i>rear upper</i>	P0075002GA	P0075002GA	1
14	Burner – <i>main</i>	P020080624	P020080624	4
15	Burner bracket	P022041974	P022041974	1
16	Gas collector box with electrode – <i>A</i>	P02606008A	P02606008A	1
17	Gas collector box with electrode – <i>B</i>	P02606009A	P02606009A	1
18	Gas collector box with electrode – <i>C</i>	P02606010A	P02606010A	2
20	Electric igniter – <i>6 point</i>	P02502265C	P02502265C	1
21	Control panel – <i>upper</i>	P02913237A	P02913237A	1
22	Control panel – <i>lower with screen print</i>	P02913242A	P02913252A	1
23	Universal hose barb – <i>1/4" LH thread</i>	P03901024A	P03901024A	1
24	Gas valve / manifold heat shield assembly – <i>30 mbar</i>	Y0060498	Y0060500	1
24a	Gas valve without jet – <i>main 30 mbar</i>	P03222134A	P03222134A	4
24b	Jet main burner – <i>30 mbar</i>	P06519082A	P06519082A	4
24c	Manifold	P05005272H	P05005282H	1
24d	Gas valve / manifold heat shield assembly bracket	P03327045D	P03327045D	2
24e	Heat shield	P03007193B	P03007193B	1
28	Lighting stick	P05313010B	P05313010B	1
29	Control knob – <i>main burner</i>	P03419123M	P03419123M	4
30	Control knob seat – <i>main</i>	P03415263L	P03415263L	4
31	Grease draining tray	P02717517B	P02717517B	1
32	Grease receptacle	P02701087B	P02701087B	1
33	Bowl support frame – <i>LR</i>	P03327057D	P03327057D	2
33a	Bowl support frame – <i>LF</i>	P03327049D	P03327049D	2
34	Bowl support frame – <i>RR</i>	P03327056D	P03327056D	2
34a	Bowl support frame – <i>RF</i>	P03327050D	P03327050D	1
35	Side shelf – <i>left</i>	P01102052D	P01102052D	1
36	Decorative panel for side shelf – <i>left</i>	P07503008P	P07503008P	1
37	Side shelf – <i>right</i>	P01103041D		1
38	Decorative panel for side shelf – <i>right</i>	P07502021P	P07502021P	1
39	Trolley leg – <i>LF / RR</i>	P00907009C	P00907009C	2
40	Trolley leg – <i>RF / LR</i>	P00907010C	P00907010C	2
41	Bowl support bracket	P01306023D	P01306023D	2
42	Trolley bottom shelf	P01002062D	P01002062D	1
43	Trolley panel – <i>front</i>	P01001055D	P01001055D	1
44	Gas cylinder strap	P05314013V	P05314013V	1
45	Trolley cross brace – <i>lower</i>	P03305050D	P03305050D	1
46	Wheel axle	P05362002G	P05362002G	1
48	Wheel	P05103004A	P05103004A	2
49	Wheel cub cap	P05113001A	P05113001A	2
51	Plug	P06801026B	P06801026B	2
52	Trolley leg seat – <i>RF</i>	P04524001A	P04524001A	1
53	Trolley leg seat – <i>RR</i>	P04524002A	P04524002A	1
55	Hot plate	P05702002E	P05702002E	1
56	Side burner lid		P0011503IK	1
57	Side burner body		P01104041D	1
58	Side burner electrode		P02607007A	1
59	Side burner pot support		P00801001D	1
60	Control knob – <i>side burner</i>		P03426093M	1
61	Control knob seat – <i>side</i>		P03415263L	1
62	Side burner		P02004014G	1
63	Side burner hose		P03705085F	1
65	Gas valve without jet – <i>side 30 mbar</i>		P03222135I	1
65a	Jet side burner – <i>30 mbar</i>		P06519084A	1
	Hardware pack	P06028002A	P06028003A	1
	Operation manual	P80181012K	P80181012K	1

PARTS DIAGRAM

This diagram is provided to assist you identify parts if replacement is necessary. Contact your place of purchase to enquire about parts, availability and or service.

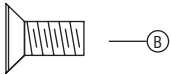


ASSEMBLY

- 1 Install bowl support brackets, cross brace and trolley leg seats to trolley legs.

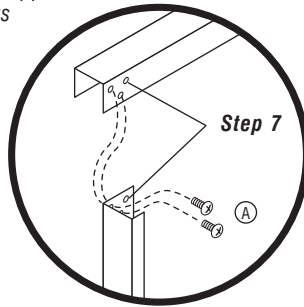


Phillips-head screw $\frac{3}{16}$ " x $\frac{3}{8}$ "
Qty: 12



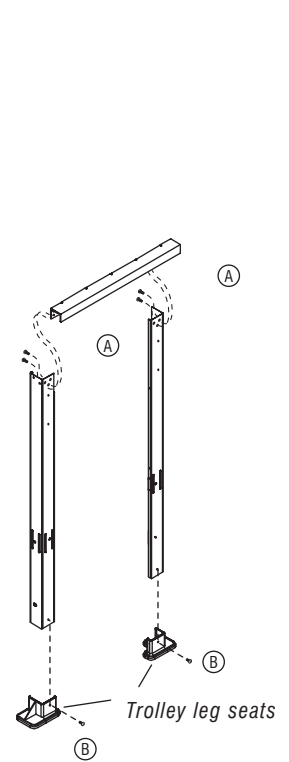
Countersunk screw M4 x 8 mm
Qty: 2

Trolley support brackets

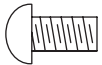


NOTE: Left trolley legs are without trolley leg seats

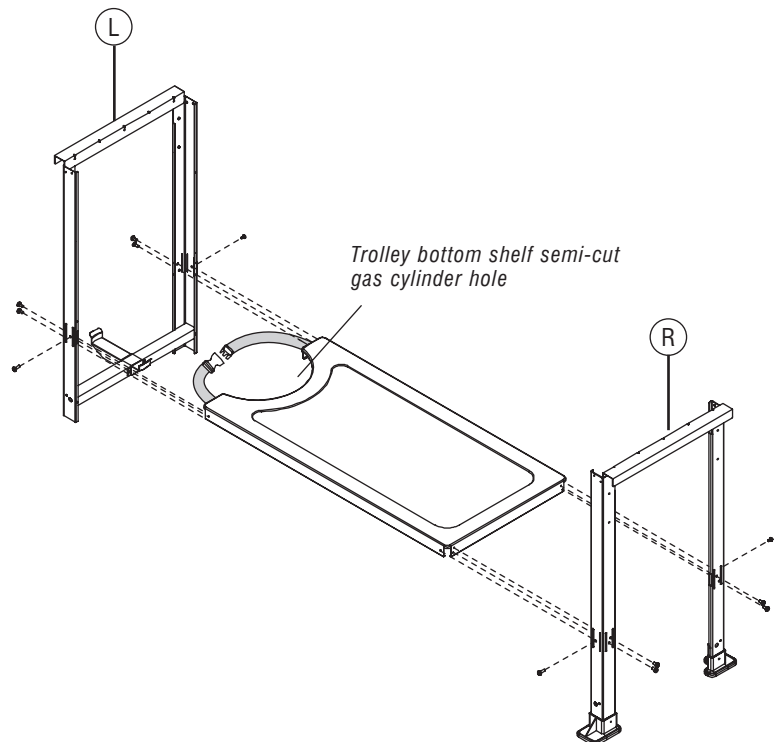
Cross brace



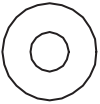
- 2 Install bowl shelf to trolley legs.



Phillips-head screw $\frac{3}{16}$ " x $\frac{3}{8}$ "
Qty: 12



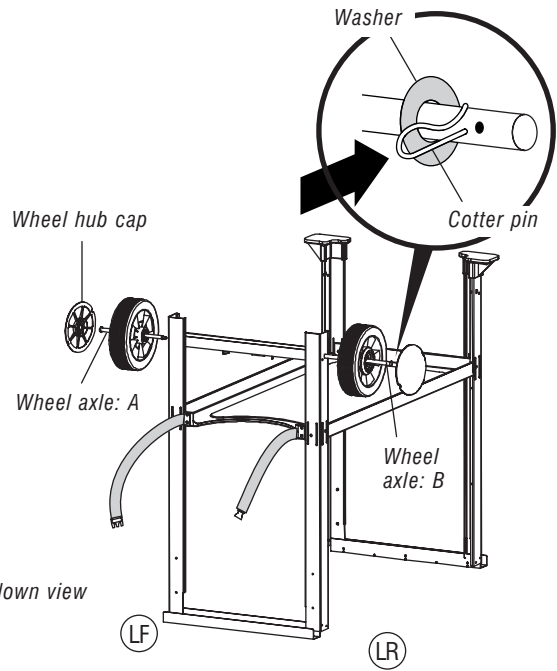
③ Install wheels to left trolley legs.



Plain washer M10
Qty: 1



Cotter pin
Qty: 1



NOTE: Upside down view of trolley

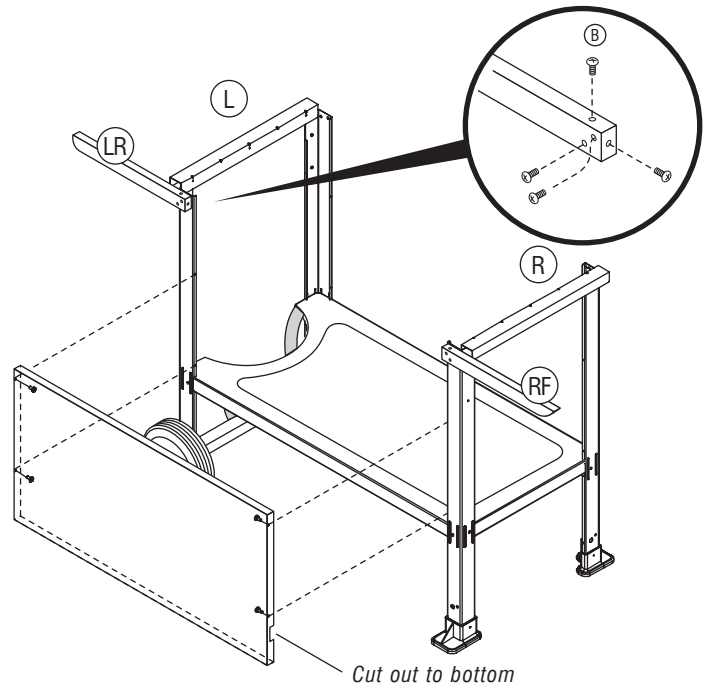
④ Install front trolley panel to trolley and front shelf bracket.



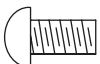
Phillips-head screw M4 x 8 mm
Qty: 4



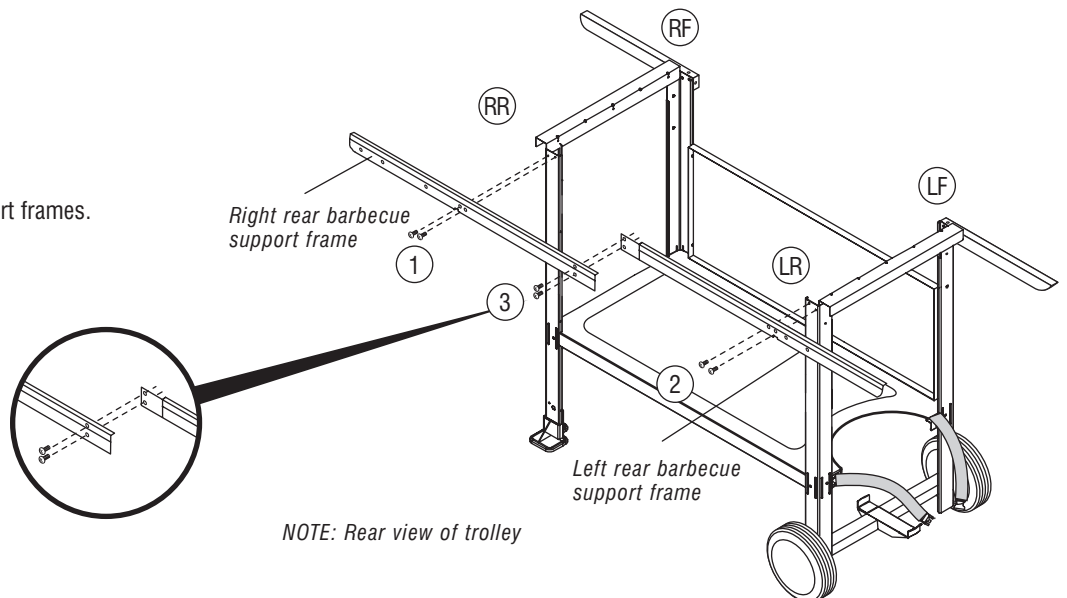
Phillips-head screw 3/16" x 3/8"
Qty: 8



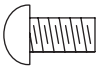
⑤ Install rear barbecue support frames.



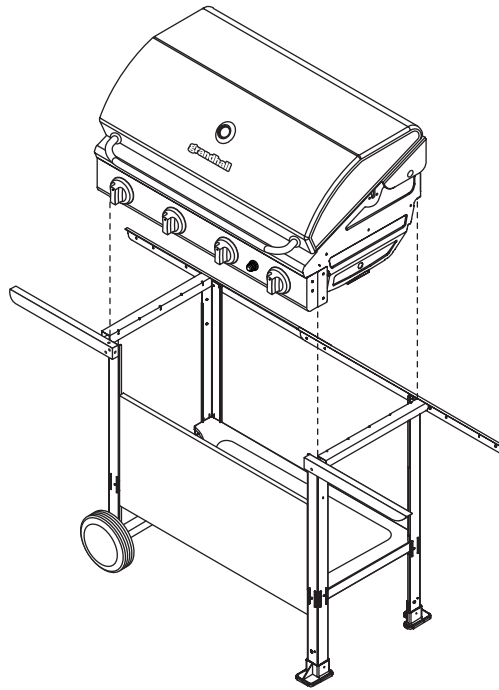
Phillips-head screw 3/16" x 3/8"
Qty: 6



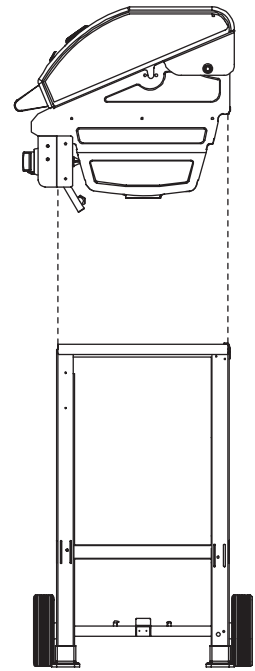
⑥ Install barbecue bowl and front support frames.



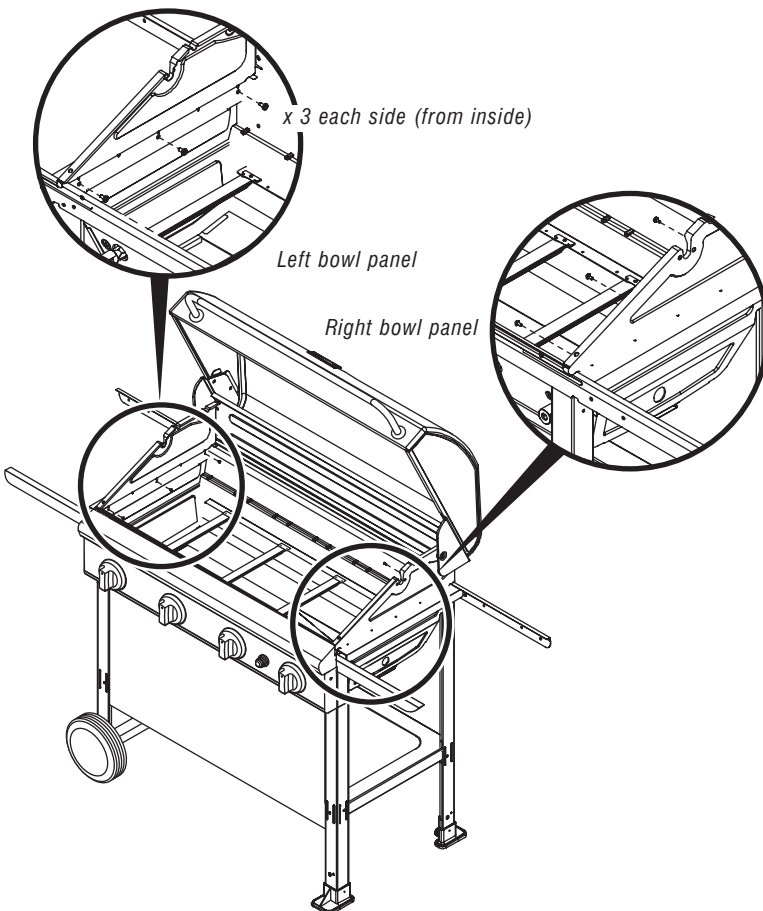
Phillips-head screw $\frac{3}{16}$ " x $\frac{3}{8}$ "
Qty: 6



Front view of trolley



Right side of trolley



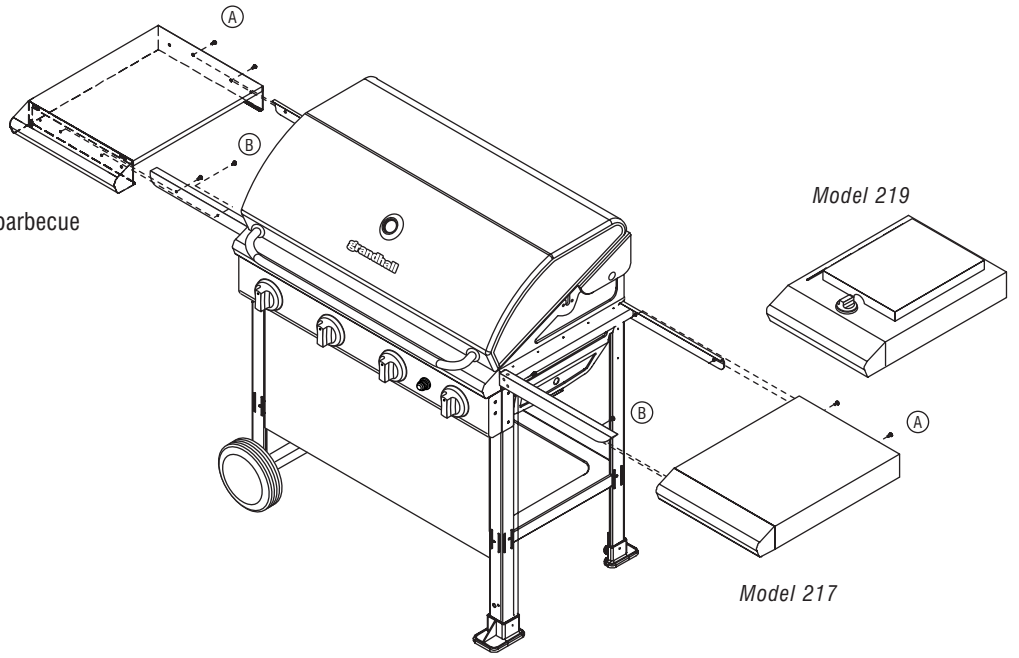
- 7 Install left and right side shelf to barbecue support frame.



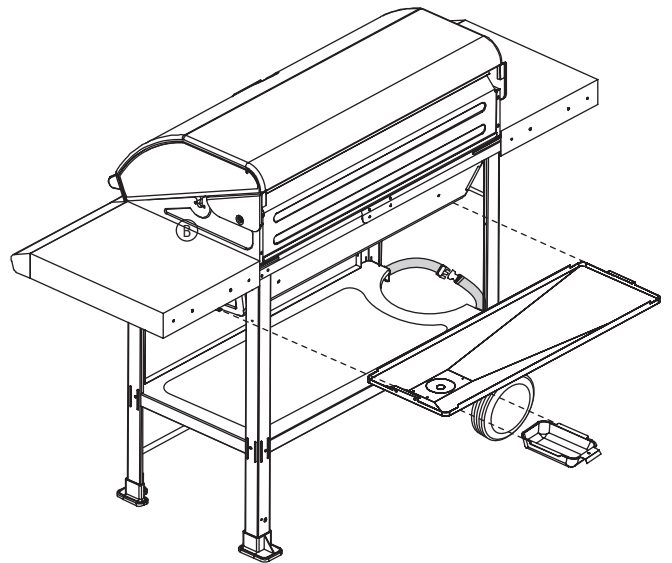
Phillips-head screw $\frac{3}{16}$ " x $\frac{3}{8}$ "
Qty: 4



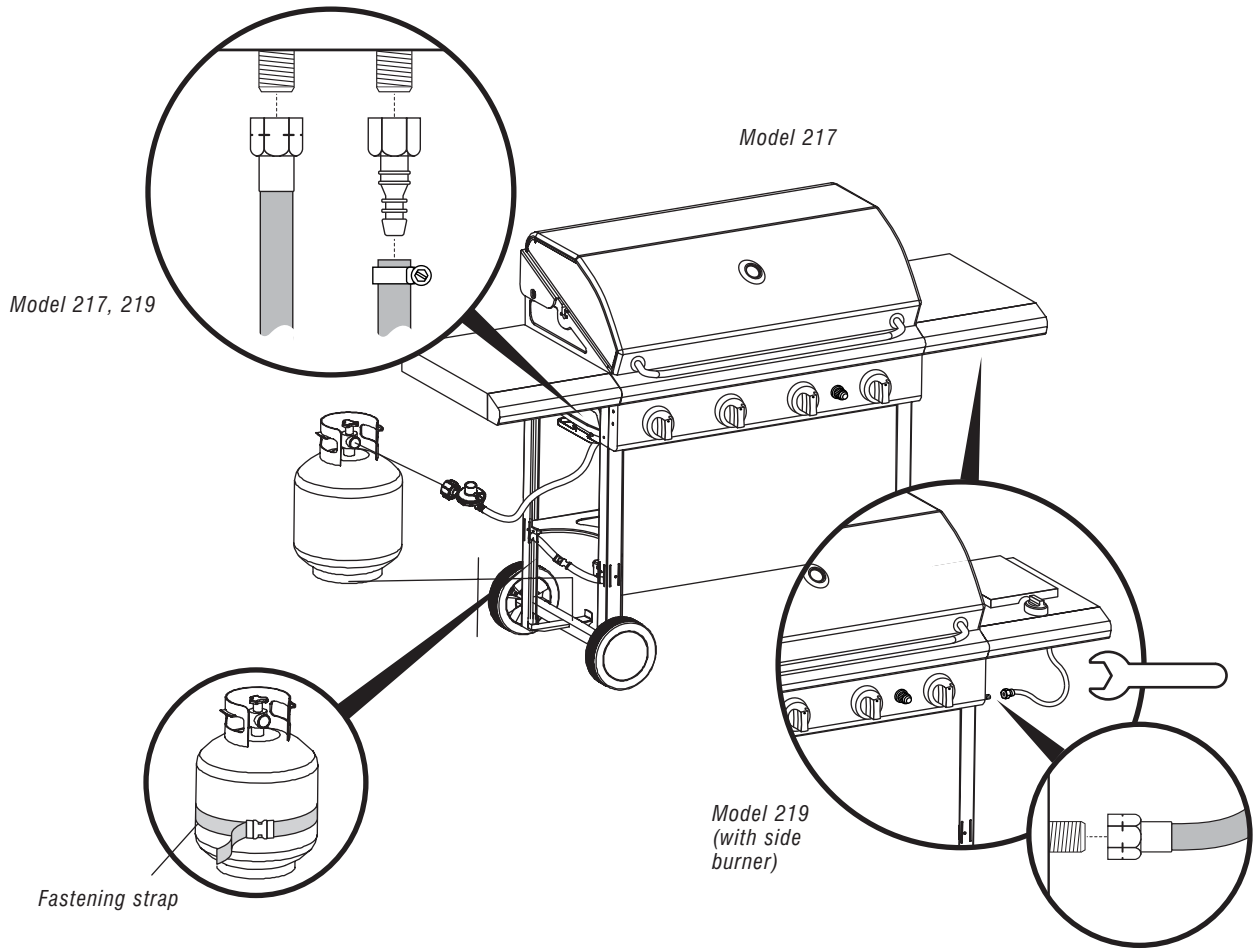
Phillips-head screw M4 x 8 mm
Qty: 4



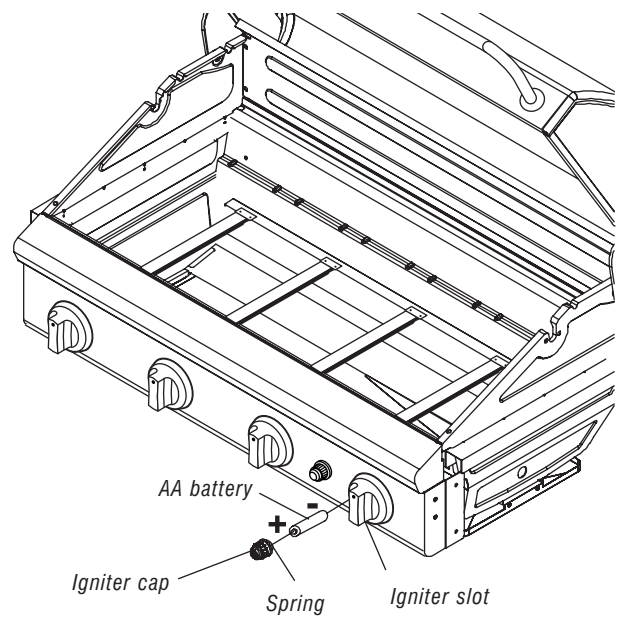
- 8 Install grease draining tray and grease receptacle.



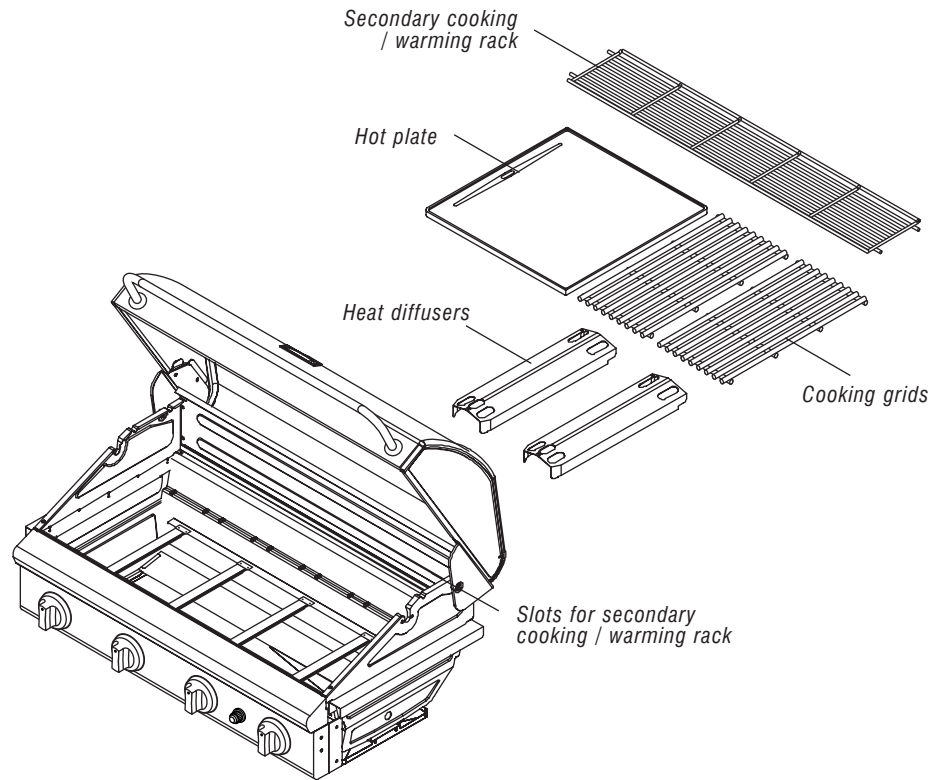
9 Install gas hose and cylinder to barbecue.



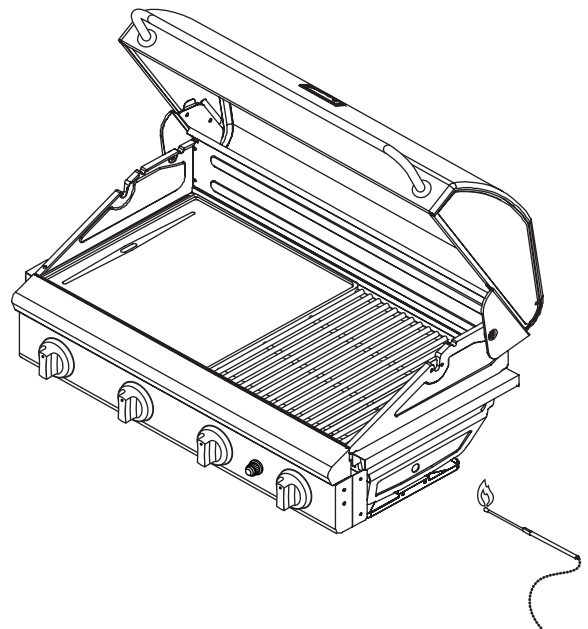
10 Install Igniter battery.



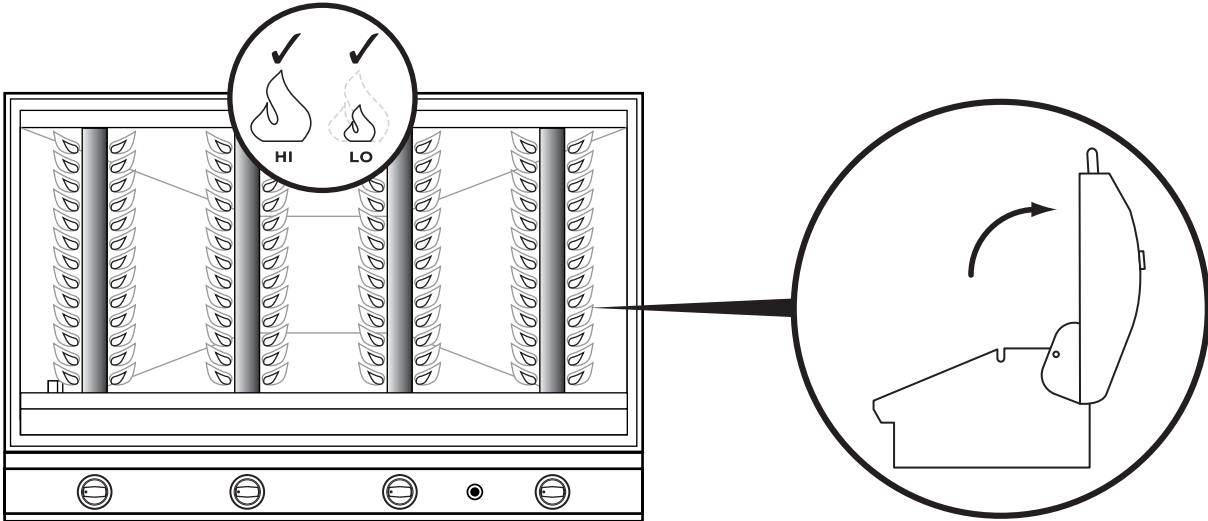
11 Install cooking components.



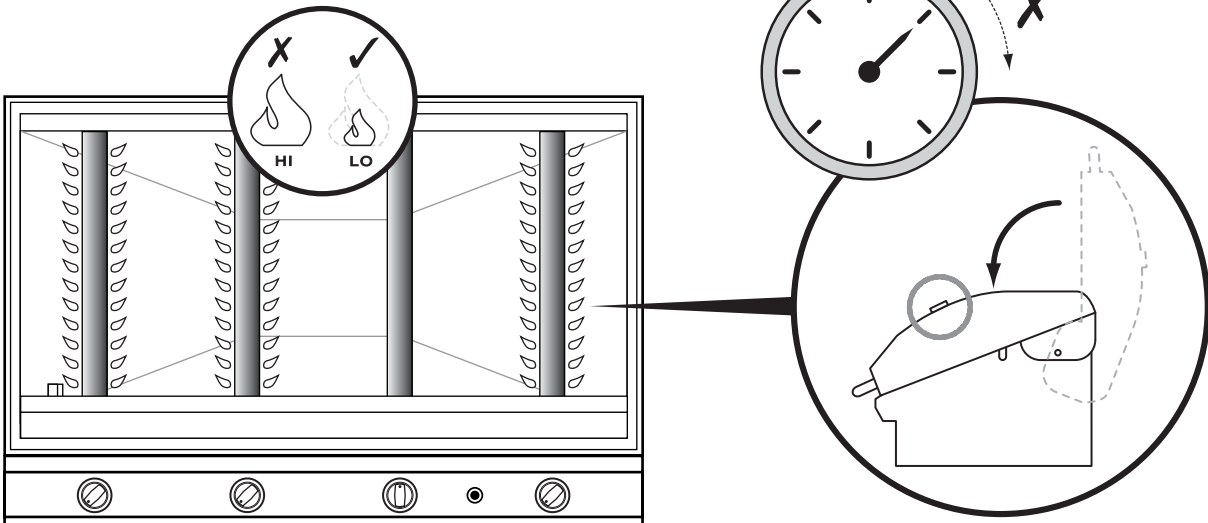
MANUAL LIGHTING



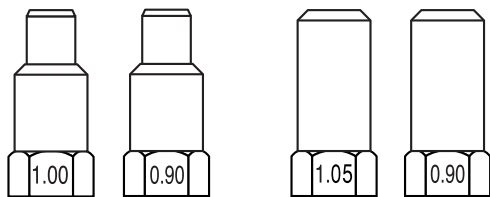
COOKING WITH HOOD OPEN



COOKING WITH HOOD DOWN



INJECTOR



Main

Side

•Main	1.00 mm	- I 3+ (28-30/37)
		- I 3B/P (30)
	0.90 mm	- I 3B/P (50)
•Side	1.05 mm	- I 3+ (28-30/37)
		- I 3B/P (30)
	0.90 mm	- I 3B/P (50)

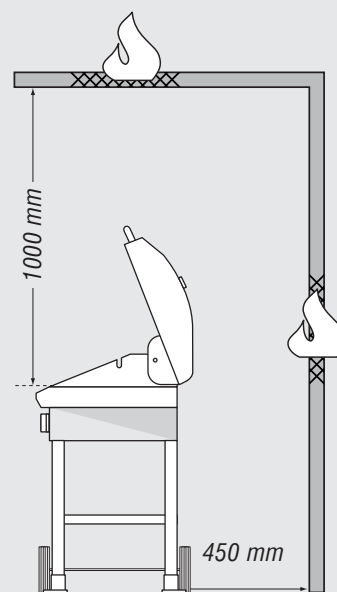
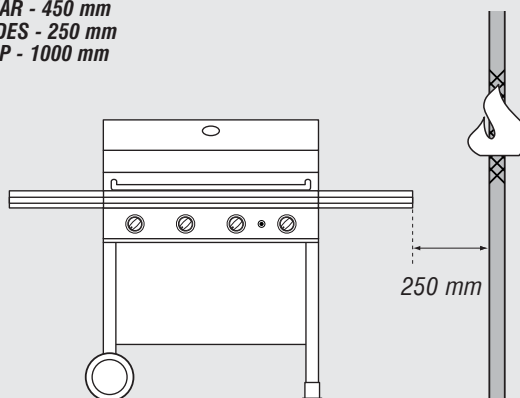
INPUT

•Main	17.6 kW	- 1278 grams / h
•Side	4.5 kW	- 327 grams / h

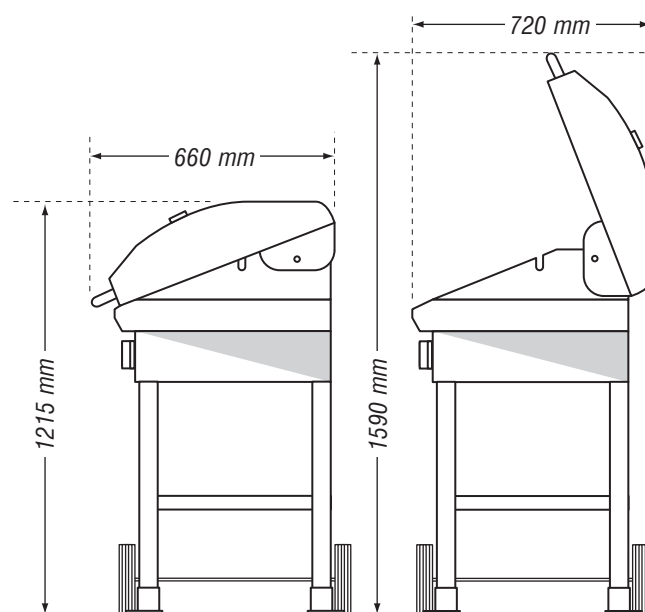
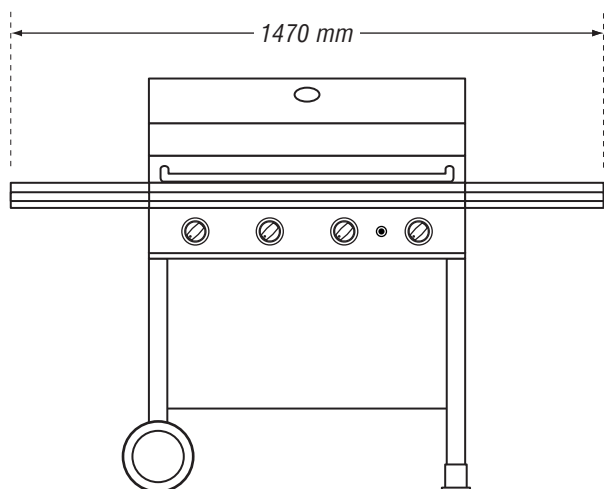


WARNINGS INFORMATION

- **MINIMUM CLEARANCES FROM COMBUSTIBLE MATERIALS MUST BE:**
REAR - 450 mm
SIDES - 250 mm
TOP - 1000 mm



DIMENSIONS



Grand Hall Europe
PO Box 431
7570 AK Oldenzaal
The Netherlands

www.grandhall.eu

(IE) (GB) NOTE: This information is a guide only. Items included in your BBQ specification may differ depending on region or specific dealer specification.

(CH) (FR) NOTE: Ces renseignements sont donnés à titre indicatif. Il est possible que les articles inclus dans les spécifications de votre barbecue diffèrent selon la région ou les caractéristiques stipulées par le concessionnaire.

(AT) (CH) (DE) ANMERKUNG: Diese Anleitung dient nur zu Informationszwecken. Einzelteile der Grillspezifikation sind unter Umständen verschieden entsprechend der Vertriebsregion oder bestimmten Händleranforderungen.

(CH) (IT) AVVERTENZA: Queste informazioni hanno il valore di guida soltanto. Gli articoli compresi nelle caratteristiche tecniche del barbecue potrebbero variare a seconda della regione o del concessionario.

(LU) (BE) (NL) ATTENTIE: Deze informatie is alleen bedoeld als gids. Onderdelen in uw BBQ specificatie en pakket kunnen per regio of per dealer verschillen.

(SE) ANM.: Denna information är endast avsedd som handledning. Specifikationerna för grillen kan variera regionalt eller beroende på de krav som olika återförsäljare har.

(FI) HUOMATKAA: Nämä tiedot ovat pelkästään suuntaa antavia. Ostamanne grillin yksityiskohdat voivat olla erilaiset paikkakunnan tai erityisten myyjäkohtaisten yksityiskohtien mukaan.

(ES) NOTA: Esta información es una guía únicamente. Es posible que las indicaciones incluidas en las especificaciones de su Asador sean diferentes según la región o las especificaciones específicas del representante.

(PT) NOTA: Esta informação é simplesmente um guia. Os itens incluídos na especificação do seu BBQ poderão diferir dependendo da especificação da região ou do vendedor específico.

(DK) NB: Denne information er kun vejledende. Specifikationer kan variere efter ønske fra forhandler, eller i henhold til nationale regler.

(NO) NB: Denne informasjon er kun veiledende. Spesifikasjoner kan variere som stipulert av forhandler, eller i henhold til nasjonale krav.

All specifications are subject to change without notice.

Toutes les caractéristiques sont susceptibles d'être modifiées sans préavis.

Änderungen ohne vorherige Bekanntgabe vorbehalten.

Tutti i dati tecnici possono cambiare senza preavviso.

Alle specificaties kunnen zonder voorafgaande kennisgeving worden gewijzigd.

Kaikki oikeudet teknisten tietojen muutoksiin pidätetään.

Kaikki yksityiskohdat voivat muuttua ilman, että niistä erikseen ilmoitetaan.

Todas las especificaciones están sujetas a cambios sin previo aviso.

Todas as especificações estão sujeitas a alteração sem aviso.

Alle specifikationer kan ændres foruden varsel.

Spesifikasjoner kan endres uten varsel.

Manufacturer:

Grand Hall Enterprises Co. Ltd.
9th Fl. No 298 Rueiguang Rd
Neihu, Taipei, Taiwan